

## Mono CODEC with Speaker Driver

### DESCRIPTION

The WM8974 is a low power, high quality mono codec designed for portable applications such as Digital Still Camera or Digital Voice Recorder.

The device integrates support for a differential or single ended mic, and includes drivers for speakers or headphone, and mono line output. External component requirements are reduced as no separate microphone or headphone amplifiers are required.

Advanced Sigma Delta Converters are used along with digital decimation and interpolation filters to give high quality audio at sample rates from 8 to 48ks/s. Additional digital filtering options are available in the ADC path, to cater for application filtering such as 'wind noise reduction', plus an advanced mixed signal ALC function with noise gate is provided.

An on-chip PLL is provided to generate the required Master Clock from an external reference clock. The PLL clock can also be output if required elsewhere in the system.

The WM8974 operates at supply voltages from 2.5 to 3.6V, although the digital core can operate at voltages down to 1.62V to save power. The speaker and mono outputs use a separate supply of up to 5V which enables increased output power if required. Different sections of the chip can also be powered down under software control by way of the selectable two or three wire control interface.

WM8974 is supplied in a very small 4x4mm QFN package, offering high levels of functionality in minimum board area, with high thermal performance.

### FEATURES

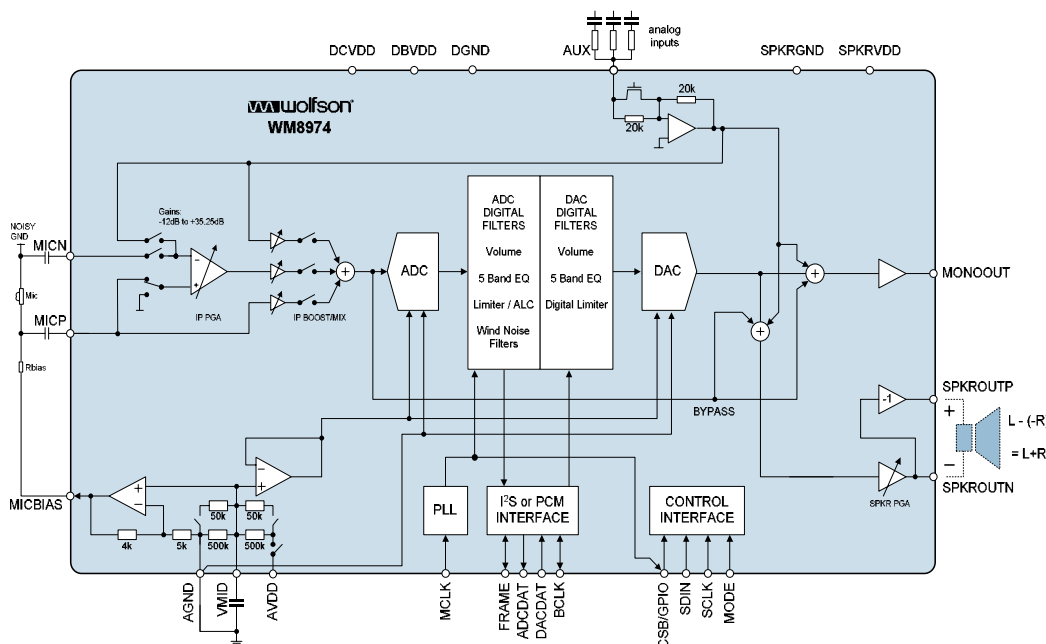
- **Mono Codec:**
- Audio sample rates: 8, 11.025, 16, 22.05, 24, 32, 44.1, 48kHz
- DAC SNR 98dB, THD -84dB ('A'-weighted @ 8 – 48ks/s)
- ADC SNR 90dB, THD -80dB ('A'-weighted @ 8 – 48ks/s)
- On-chip Headphone/Speaker Driver with 'cap-less' connect
  - 40mW output power into 16Ω / 3.3V SPKRVDD
  - BTL speaker drive 0.9W into 8Ω / 5V SPKRVDD
- Additional MONO Line output
- Multiple analog or 'Aux' inputs, plus analog bypass path
- **Mic Preamps:**
- Differential or single end Microphone Interface
  - Programmable preamp gain
  - Pseudo differential inputs with common mode rejection
  - Programmable ALC / Noise Gate in ADC path
- Low-noise bias supplied for electret microphones

### OTHER FEATURES

- 5 band EQ (record or playback path)
- Digital Playback Limiter
- Programmable ADC High Pass Filter (wind noise reduction)
- Programmable ADC Notch Filter
- On-chip PLL
- Low power, low voltage
  - 2.5V to 3.6V (digital core: 1.62V to 3.6V)
  - power consumption <10mA all-on 48ks/s mode
- 4x4x0.9mm 24 pin QFN package

### APPLICATIONS

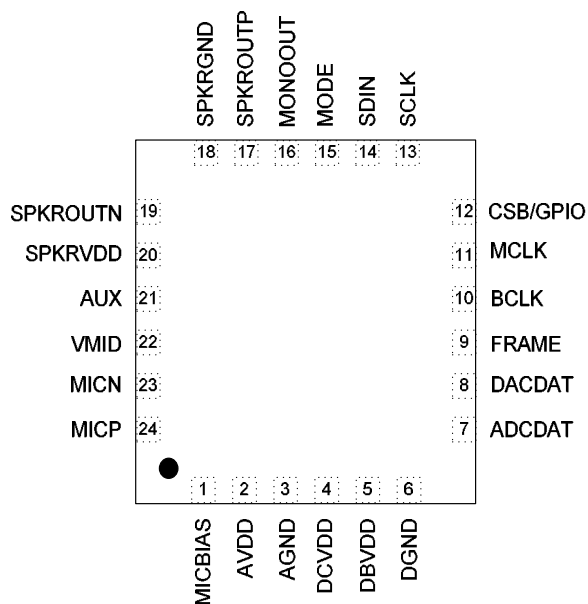
- Digital Still Camera Audio Codec
- General Purpose low power audio CODEC



## TABLE OF CONTENTS

|                                                     |           |
|-----------------------------------------------------|-----------|
| <b>DESCRIPTION .....</b>                            | <b>1</b>  |
| <b>FEATURES.....</b>                                | <b>1</b>  |
| <b>APPLICATIONS .....</b>                           | <b>1</b>  |
| <b>TABLE OF CONTENTS .....</b>                      | <b>2</b>  |
| <b>PIN CONFIGURATION.....</b>                       | <b>3</b>  |
| <b>ORDERING INFORMATION .....</b>                   | <b>3</b>  |
| <b>ABSOLUTE MAXIMUM RATINGS.....</b>                | <b>5</b>  |
| <b>RECOMMENDED OPERATING CONDITIONS .....</b>       | <b>5</b>  |
| <b>ELECTRICAL CHARACTERISTICS .....</b>             | <b>6</b>  |
| TERMINOLOGY .....                                   | 8         |
| <b>SIGNAL TIMING REQUIREMENTS .....</b>             | <b>9</b>  |
| SYSTEM CLOCK TIMING .....                           | 9         |
| AUDIO INTERFACE TIMING – MASTER MODE .....          | 9         |
| AUDIO INTERFACE TIMING – SLAVE MODE.....            | 10        |
| CONTROL INTERFACE TIMING – 3-WIRE MODE .....        | 11        |
| CONTROL INTERFACE TIMING – 2-WIRE MODE .....        | 12        |
| <b>DEVICE DESCRIPTION.....</b>                      | <b>13</b> |
| INTRODUCTION.....                                   | 13        |
| INPUT SIGNAL PATH.....                              | 14        |
| ANALOGUE TO DIGITAL CONVERTER (ADC).....            | 19        |
| INPUT LIMITER / AUTOMATIC LEVEL CONTROL (ALC) ..... | 22        |
| OUTPUT SIGNAL PATH .....                            | 26        |
| ANALOGUE OUTPUTS.....                               | 33        |
| OUTPUT SWITCH .....                                 | 38        |
| DIGITAL AUDIO INTERFACES.....                       | 40        |
| AUDIO SAMPLE RATES.....                             | 46        |
| MASTER CLOCK AND PHASE LOCKED LOOP (PLL).....       | 47        |
| GENERAL PURPOSE INPUT/OUTPUT .....                  | 49        |
| CONTROL INTERFACE.....                              | 49        |
| <b>RESETTING THE CHIP.....</b>                      | <b>50</b> |
| POWER SUPPLIES .....                                | 50        |
| POWER MANAGEMENT .....                              | 51        |
| <b>REGISTER MAP.....</b>                            | <b>52</b> |
| <b>DIGITAL FILTER CHARACTERISTICS .....</b>         | <b>53</b> |
| TERMINOLOGY .....                                   | 53        |
| <b>DAC FILTER RESPONSES .....</b>                   | <b>54</b> |
| <b>ADC FILTER RESPONSES .....</b>                   | <b>54</b> |
| <b>DE-EMPHASIS FILTER RESPONSES .....</b>           | <b>55</b> |
| <b>HIGHPASS FILTER.....</b>                         | <b>56</b> |
| <b>5-BAND EQUALISER.....</b>                        | <b>57</b> |
| <b>APPLICATIONS INFORMATION .....</b>               | <b>61</b> |
| RECOMMENDED EXTERNAL COMPONENTS.....                | 61        |
| <b>PACKAGE DIAGRAM .....</b>                        | <b>62</b> |
| <b>IMPORTANT NOTICE .....</b>                       | <b>63</b> |
| ADDRESS .....                                       | 63        |

## PIN CONFIGURATION



## ORDERING INFORMATION

| ORDER CODE    | TEMPERATURE RANGE                               | PACKAGE                | MOISTURE SENSITIVITY LEVEL | PACKAGE BODY TEMPERATURE |
|---------------|-------------------------------------------------|------------------------|----------------------------|--------------------------|
| WM8974GEFL/V  | -25°C to +85°C<br>(lead free)                   | 24-pin QFN (4x4x0.9mm) | MSL3                       | 260°C                    |
| WM8974GEFL/RV | -25°C to +85°C<br>(lead free,<br>tape and reel) | 24-pin QFN (4x4x0.9mm) | MSL3                       | 260°C                    |

**Note:**

Reel Quantity = 3,500

**PIN DESCRIPTION**

| PIN NO | NAME     | TYPE                   | DESCRIPTION                                                 |
|--------|----------|------------------------|-------------------------------------------------------------|
| 1      | MICBIAS  | Analogue Output        | Microphone Bias                                             |
| 2      | AVDD     | Supply                 | Analogue supply (feeds ADC and DAC)                         |
| 3      | AGND     | Supply                 | Analogue ground (feeds ADC and DAC)                         |
| 4      | DCVDD    | Supply                 | Digital Core supply                                         |
| 5      | DBVDD    | Supply                 | Digital Buffer (Input/Output) supply                        |
| 6      | DGND     | Supply                 | Digital ground                                              |
| 7      | ADCDAT   | Digital Output         | ADC Digital Audio Data Output                               |
| 8      | DACDAT   | Digital Input          | DAC Digital Audio Data Input                                |
| 9      | FRAME    | Digital Input / Output | DAC and ADC Sample Rate Clock or Frame synch                |
| 10     | BCLK     | Digital Input / Output | Digital Audio Port Clock                                    |
| 11     | MCLK     | Digital Input          | Master Clock Input                                          |
| 12     | CSB/GPIO | Digital Input / Output | 3-Wire MPU Chip Select or General Purpose Input/Output pin. |
| 13     | SCLK     | Digital Input          | 3-Wire MPU Clock Input / 2-Wire MPU Clock Input             |
| 14     | SDIN     | Digital Input / Output | 3-Wire MPU Data Input / 2-Wire MPU Data Input               |
| 15     | MODE     | Digital Input          | Control Interface Mode Selection Pin.                       |
| 16     | MONOOUT  | Analogue Output        | mono output                                                 |
| 17     | SPKROUTP | Analogue Output        | Speaker Output Positive                                     |
| 18     | SPKRGND  | Supply                 | Speaker ground (feeds speaker and mono output amps only)    |
| 19     | SPKROUTN | Analogue Output        | Speaker Output Negative                                     |
| 20     | SPKRVDD  | Supply                 | Speaker supply (feeds speaker and mono output amps only)    |
| 21     | AUX      | Analogue Input         | Auxiliary analogue input                                    |
| 22     | VMID     | Reference              | Decoupling for midrail reference voltage                    |
| 23     | MICN     | Analogue Input         | Microphone negative input                                   |
| 24     | MICP     | Analogue Input         | Microphone positive input (common mode)                     |

## ABSOLUTE MAXIMUM RATINGS

Absolute Maximum Ratings are stress ratings only. Permanent damage to the device may be caused by continuously operating at or beyond these limits. Device functional operating limits and guaranteed performance specifications are given under Electrical Characteristics at the test conditions specified.



ESD Sensitive Device. This device is manufactured on a CMOS process. It is therefore generically susceptible to damage from excessive static voltages. Proper ESD precautions must be taken during handling and storage of this device.

Wolfson tests its package types according to IPC/JEDEC J-STD-020B for Moisture Sensitivity to determine acceptable storage conditions prior to surface mount assembly. These levels are:

MSL1 = unlimited floor life at <30°C / 85% Relative Humidity. Not normally stored in moisture barrier bag.

MSL2 = out of bag storage for 1 year at <30°C / 60% Relative Humidity. Supplied in moisture barrier bag.

MSL3 = out of bag storage for 168 hours at <30°C / 60% Relative Humidity. Supplied in moisture barrier bag.

The Moisture Sensitivity Level for each package type is specified in Ordering Information.

| CONDITION                                   | MIN                   | MAX        |
|---------------------------------------------|-----------------------|------------|
| DBVDD, DCVDD, AVDD supply voltages          | -0.3V                 | +3.63V     |
| SPKRVDD supply voltage                      | -0.3V                 | +7V        |
| Voltage range digital inputs                | DGND -0.3V            | DVDD +0.3V |
| Voltage range analogue inputs               | AGND -0.3V            | AVDD +0.3V |
| Operating temperature range, T <sub>A</sub> | -25°C                 | +85°C      |
| Storage temperature prior to soldering      | 30°C max / 85% RH max |            |
| Storage temperature after soldering         | -65°C                 | +150°C     |

### Notes

1. Analogue and digital grounds must always be within 0.3V of each other.
2. All digital and analogue supplies are completely independent from each other.

## RECOMMENDED OPERATING CONDITIONS

| PARAMETER                     | SYMBOL                | TEST CONDITIONS | MIN  | TYP | MAX | UNIT |
|-------------------------------|-----------------------|-----------------|------|-----|-----|------|
| Digital supply range (Core)   | DCVDD                 |                 | 1.62 |     | 3.6 | V    |
| Digital supply range (Buffer) | DBVDD                 |                 | 2.5  |     | 3.6 | V    |
| Analogue supplies range       | AVDD                  |                 | 2.5  |     | 3.6 | V    |
| Speaker supply                | SPKRVDD               |                 | 2.5  |     | 5.5 | V    |
| Ground                        | DGND,AGND,<br>SPKRGND |                 |      | 0   |     | V    |

## ELECTRICAL CHARACTERISTICS

### Test Conditions

DCVDD = 1.62V, AVDD = DBVDD = 3.3V, DBVDD = 3.3V, T<sub>A</sub> = +25°C, 1kHz signal, fs = 48kHz, 24-bit audio data unless otherwise stated.

| PARAMETER                                                            | SYMBOL             | TEST CONDITIONS                                    | MIN                                                                | TYP      | MAX   | UNIT         |
|----------------------------------------------------------------------|--------------------|----------------------------------------------------|--------------------------------------------------------------------|----------|-------|--------------|
| <b>Microphone Inputs (MICN, MICP)</b>                                |                    |                                                    |                                                                    |          |       |              |
| Full-scale Input Signal Level (Note 1) – note this changes with AVDD | V <sub>INFS</sub>  | PGABOOST = 0dB<br>INPPGAVOL = 0dB                  |                                                                    | 1.0<br>0 |       | V rms<br>dBV |
| Mic PGA equivalent input noise                                       | At 35.25dB gain    |                                                    |                                                                    | TBD      |       | µV           |
| Input resistance                                                     | R <sub>MICIN</sub> | Gain set to 35.25dB                                |                                                                    | 1.6      |       | kΩ           |
| Input resistance                                                     | R <sub>MICIN</sub> | Gain set to 0dB                                    |                                                                    | 47       |       | kΩ           |
| Input resistance                                                     | R <sub>MICIN</sub> | Gain set to -12dB                                  |                                                                    | 75       |       | kΩ           |
| Input resistance                                                     | R <sub>MICIP</sub> | MICP2INPPGA = 1                                    |                                                                    | 94       |       | kΩ           |
| Input resistance                                                     | R <sub>MICIP</sub> | MICP2INPPGA = 0                                    |                                                                    | TBD      |       | kΩ           |
| Input Capacitance                                                    | C <sub>MICIN</sub> |                                                    |                                                                    | 10       |       | pF           |
| Recommended coupling cap                                             | C <sub>COUP</sub>  |                                                    |                                                                    | 220      |       | pF           |
| <b>MIC Input Programmable Gain Amplifier (PGA)</b>                   |                    |                                                    |                                                                    |          |       |              |
| Programmable Gain                                                    |                    |                                                    | -12                                                                |          | 35.25 | dB           |
| Programmable Gain Step Size                                          |                    | Guaranteed monotonic                               |                                                                    | 0.75     |       | dB           |
| Mute Attenuation                                                     |                    |                                                    |                                                                    | TBD      |       | dB           |
| <b>Selectable Input Gain Boost (0/+20dB)</b>                         |                    |                                                    |                                                                    |          |       |              |
| Gain Boost                                                           |                    |                                                    | 0                                                                  |          | 20    | dB           |
| <b>Automatic Level Control (ALC)/Limiter – ADC only</b>              |                    |                                                    |                                                                    |          |       |              |
| Target Record Level                                                  |                    |                                                    | -28.5                                                              |          | -6    | dB           |
| Programmable Gain                                                    |                    |                                                    | -12                                                                |          | 35.25 | dB           |
| Programmable Gain Step Size                                          |                    | Guaranteed Monotonic                               |                                                                    | 0.75     |       | dB           |
| Gain Hold Time (Note 2)                                              | t <sub>HOLD</sub>  | MCLK=12.288MHz<br>(Note 4)                         | 0, 2.67, 5.33, 10.67, ... , 43691<br>(time doubles with each step) |          |       | ms           |
| Gain Ramp-Up (Decay) Time (Note 3)                                   | t <sub>DCY</sub>   | ALCMODE=0 (ALC),<br>MCLK=12.288MHz<br>(Note 4)     | 3.3, 6.6, 13.1, ... , 3360<br>(time doubles with each step)        |          |       | ms           |
|                                                                      |                    | ALCMODE=1 (limiter),<br>MCLK=12.288MHz<br>(Note 4) | 0.73, 1.45, 2.91, ... , 744<br>(time doubles with each step)       |          |       |              |
| Gain Ramp-Down (Attack) Time (Note 3)                                | t <sub>ATK</sub>   | ALCMODE=0 (ALC),<br>MCLK=12.288MHz<br>(Note 4)     | 0.83, 1.66, 3.33, ... , 852<br>(time doubles with each step)       |          |       | ms           |
|                                                                      |                    | ALCMODE=1 (limiter),<br>MCLK=12.288MHz<br>(Note 4) | 0.18, 0.36, 0.73, ... , 186<br>(time doubles with each step)       |          |       |              |
| Mute Attenuation                                                     |                    |                                                    |                                                                    | TBD      |       | dB           |
| <b>Analogue to Digital Converter (ADC)</b>                           |                    |                                                    |                                                                    |          |       |              |
| Signal to Noise Ratio (Note 5, 6)                                    |                    | A-weighted, 0dB gain                               |                                                                    | 90       |       | dB           |
| Total Harmonic Distortion (Note 7)                                   |                    | full-scale, 0dB gain                               |                                                                    | -80      |       | dB           |
| <b>Auxiliary Analogue Input (AUX)</b>                                |                    |                                                    |                                                                    |          |       |              |
| Full-scale Input Signal Level (0dB) – note this changes with AVDD    | V <sub>INFS</sub>  |                                                    |                                                                    | 1.0<br>0 |       | V rms<br>dBV |
| Input Resistance                                                     | R <sub>AUXIN</sub> | AUXMODE=0                                          |                                                                    | 20       |       | kΩ           |
| Input Capacitance                                                    | C <sub>AUXIN</sub> |                                                    |                                                                    | 10       |       | pF           |

**Test Conditions**

DCVDD = 1.62V, AVDD = DBVDD = 3.3V, TA = +25°C, 1kHz signal, fs = 48kHz, 24-bit audio data unless otherwise stated.

| PARAMETER                                                                                           | SYMBOL               | TEST CONDITIONS                                              | MIN      | TYP                | MAX      | UNIT             |
|-----------------------------------------------------------------------------------------------------|----------------------|--------------------------------------------------------------|----------|--------------------|----------|------------------|
| <b>Digital to Analogue Converter (DAC) to MONO output</b> (all data measured with 10kΩ / 50pF load) |                      |                                                              |          |                    |          |                  |
| Signal to Noise Ratio (Note 5)                                                                      | SNR                  | A-weighted                                                   | TBD      | 98                 |          | dB               |
| Total Harmonic Distortion (Note 7)                                                                  | THD                  | R <sub>L</sub> = 10 kΩ<br>full-scale signal                  |          | -84                |          | dB               |
| 0dB Full Scale output voltage (Note 9)                                                              |                      | MONOBOOST=0                                                  |          | AVDD/3.3           |          | V <sub>RMS</sub> |
|                                                                                                     |                      | MONOBOOST=1                                                  |          | 1.5x<br>(AVDD/3.3) |          |                  |
| <b>Speaker Output PGA</b>                                                                           |                      |                                                              |          |                    |          |                  |
| Programmable Gain                                                                                   |                      |                                                              | -57      |                    | 6        | dB               |
| Programmable Gain Step Size                                                                         |                      | Guaranteed monotonic                                         |          | 1                  |          | dB               |
| <b>BTL Speaker Output (SPKROUTP, SPKROUTN with 8Ω bridge tied load)</b>                             |                      |                                                              |          |                    |          |                  |
| Output Power                                                                                        | P <sub>O</sub>       | Output power is very closely correlated with THD; see below  |          |                    |          |                  |
| Total Harmonic Distortion                                                                           | THD                  | P <sub>O</sub> = 180mW, R <sub>L</sub> = 8Ω,<br>SPKRVDD=3.3V |          | 0.3<br>-50         |          | %<br>dB          |
|                                                                                                     |                      | P <sub>O</sub> = 400mW, R <sub>L</sub> = 8Ω,<br>SPKRVDD=3.3V |          | 1.0<br>-40         |          | %<br>dB          |
|                                                                                                     |                      | P <sub>O</sub> = 360mW, R <sub>L</sub> = 8Ω,<br>SPKRVDD=5V   |          | 0.3<br>-50         |          | %<br>dB          |
|                                                                                                     |                      | P <sub>O</sub> = 800mW, R <sub>L</sub> = 8Ω,<br>SPKRVDD=5V   |          | 1<br>-40           |          | %<br>dB          |
| Signal to Noise Ratio                                                                               | SNR                  | SPKRVDD=3.3V,<br>R <sub>L</sub> = 8Ω                         |          | 90                 |          | dB               |
|                                                                                                     |                      | SPKRVDD=5V,<br>R <sub>L</sub> = 8Ω                           |          | 90                 |          | dB               |
| Power Supply Rejection Ratio                                                                        |                      |                                                              |          | 50                 |          | dB               |
| <b>'Headphone' output (SPKROUTP, SPKROUTN with resistive load to ground)</b>                        |                      |                                                              |          |                    |          |                  |
| Signal to Noise Ratio                                                                               | SNR                  |                                                              |          | 93                 |          | dB               |
| Total Harmonic Distortion                                                                           | THD                  | P <sub>O</sub> =20mW, R <sub>L</sub> = 16Ω,<br>SPKRVDD=3.3V  |          | 0.008<br>-81       |          | %<br>dB          |
|                                                                                                     |                      | P <sub>O</sub> =20mW, R <sub>L</sub> = 32Ω,<br>SPKRVDD=3.3V  |          | 0.007<br>- 83      |          | %<br>dB          |
| <b>Microphone Bias</b>                                                                              |                      |                                                              |          |                    |          |                  |
| Bias Voltage (MBVSEL=0)                                                                             | V <sub>MICBIAS</sub> |                                                              |          | 0.9*AVDD           |          | V                |
| Bias Voltage (MBVSEL=1)                                                                             | V <sub>MICBIAS</sub> |                                                              |          | 0.75*AVDD          |          | V                |
| Bias Current Source                                                                                 | I <sub>MICBIAS</sub> |                                                              |          |                    | 3        | mA               |
| Output Noise Voltage                                                                                | V <sub>n</sub>       | 1K to 20kHz                                                  |          | 15                 |          | nV/√Hz           |
| <b>Digital Input / Output</b>                                                                       |                      |                                                              |          |                    |          |                  |
| Input HIGH Level                                                                                    | V <sub>IH</sub>      |                                                              | 0.7×DVDD |                    |          | V                |
| Input LOW Level                                                                                     | V <sub>IL</sub>      |                                                              |          |                    | 0.3×DVDD | V                |
| Output HIGH Level                                                                                   | V <sub>OH</sub>      | I <sub>OL</sub> =1mA                                         | 0.9×DVDD |                    |          | V                |
| Output LOW Level                                                                                    | V <sub>OL</sub>      | I <sub>OH</sub> =1mA                                         |          |                    | 0.1×DVDD | V                |

## TERMINOLOGY

1. MICN input only in single ended microphone configuration. Maximum input signal to MICP without distortion is -3dBV.
2. Hold Time is the length of time between a signal detected being too quiet and beginning to ramp up the gain. It does not apply to ramping down the gain when the signal is too loud, which happens without a delay.
3. Ramp-up and Ramp-Down times are defined as the time it takes for the PGA to change it's gain by 6dB.
4. All hold, ramp-up and ramp-down times scale proportionally with MCLK
5. Signal-to-noise ratio (dB) – SNR is a measure of the difference in level between the full scale output and the output with no signal applied. (No Auto-zero or Automute function is employed in achieving these results).
6. THD+N (dB) – THD+N is a ratio, of the rms values, of (Noise + Distortion)/Signal.
7. The maximum output voltage can be limited by the speaker power supply. If MONOBOOST=1 then SPKVDD should be 1.5xAVDD or higher to prevent clipping taking place in the output stage.



## SIGNAL TIMING REQUIREMENTS

### SYSTEM CLOCK TIMING

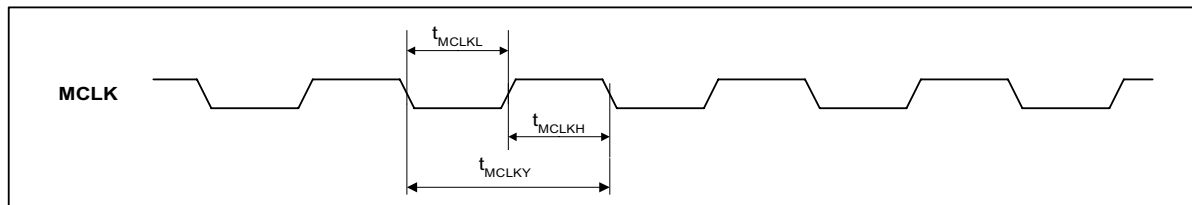


Figure 1 System Clock Timing Requirements

**Test Conditions**

DCVDD=1.62V, DBVDD=AVDD=SPKRVDD=3.3V, DGND=AGND=SPKRGND=0V,  $T_A = +25^{\circ}\text{C}$ , Slave Mode  $f_s = 48\text{kHz}$ , MCLK = 256fs, 24-bit data, unless otherwise stated.

| PARAMETER                              | SYMBOL       | MIN   | TYP | MAX   | UNIT |
|----------------------------------------|--------------|-------|-----|-------|------|
| <b>System Clock Timing Information</b> |              |       |     |       |      |
| MCLK System clock cycle time           | $T_{MCLKY}$  | Tbd   |     |       | ns   |
| MCLK duty cycle                        | $T_{MCLKDS}$ | 60:40 |     | 40:60 |      |

### AUDIO INTERFACE TIMING – MASTER MODE

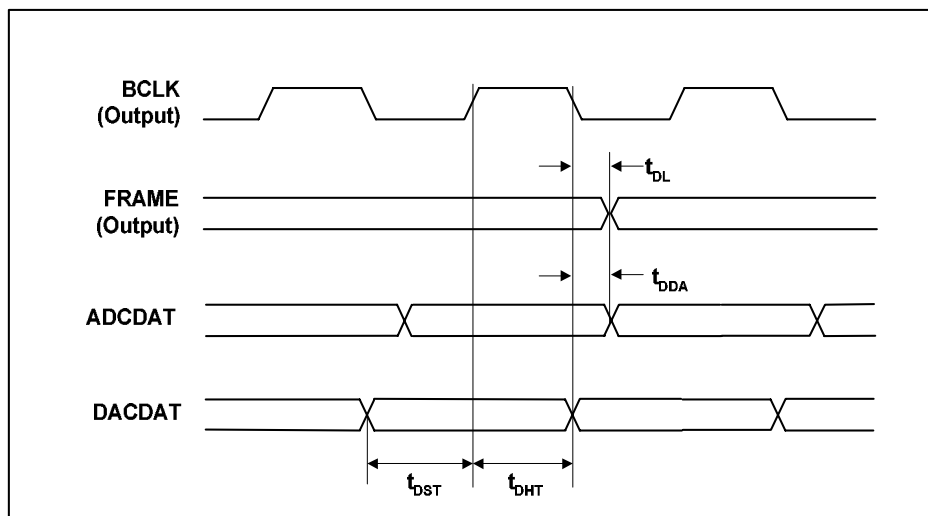


Figure 2 Digital Audio Data Timing – Master Mode (see Control Interface)

**Test Conditions**

DCVDD=1.62V, DBVDD=AVDD=SPKRVDD=3.3V, DGND=AGND=SPKRGND=0V, T<sub>A</sub>=+25°C, Slave Mode, fs=48kHz, MCLK=256fs, 24-bit data, unless otherwise stated.

| PARAMETER                                       | SYMBOL           | MIN | TYP | MAX | UNIT |
|-------------------------------------------------|------------------|-----|-----|-----|------|
| <b>Audio Data Input Timing Information</b>      |                  |     |     |     |      |
| FRAME propagation delay from BCLK falling edge  | t <sub>DL</sub>  |     |     | 10  | ns   |
| ADCDAT propagation delay from BCLK falling edge | t <sub>DDA</sub> |     |     | 10  | ns   |
| DACDAT setup time to BCLK rising edge           | t <sub>DST</sub> | 10  |     |     | ns   |
| DACDAT hold time from BCLK rising edge          | t <sub>DHT</sub> | 10  |     |     | ns   |

**AUDIO INTERFACE TIMING – SLAVE MODE**

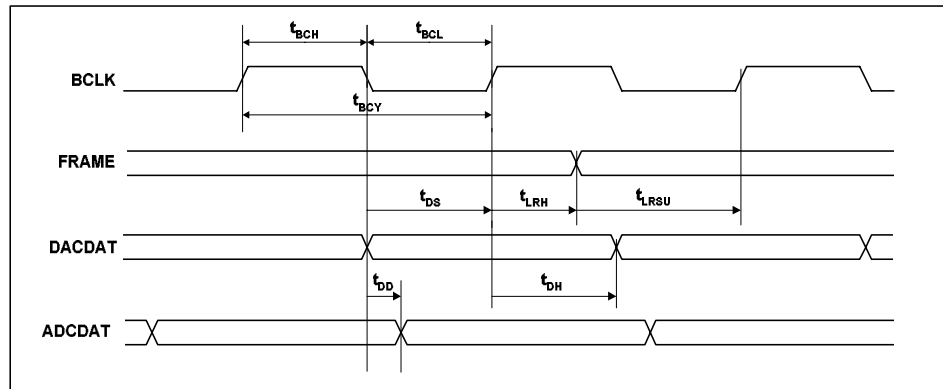


Figure 3 Digital Audio Data Timing – Slave Mode

**Test Conditions**

DCVDD=1.62V, DBVDD=AVDD=SPKRVDD=3.3V, DGND=AGND=SPKRGND=0V, T<sub>A</sub>=+25°C, Slave Mode, fs=48kHz, MCLK=256fs, 24-bit data, unless otherwise stated.

| PARAMETER                                       | SYMBOL            | MIN | TYP | MAX | UNIT |
|-------------------------------------------------|-------------------|-----|-----|-----|------|
| <b>Audio Data Input Timing Information</b>      |                   |     |     |     |      |
| BCLK cycle time                                 | t <sub>BCY</sub>  | 50  |     |     | ns   |
| BCLK pulse width high                           | t <sub>BCH</sub>  | 20  |     |     | ns   |
| BCLK pulse width low                            | t <sub>BCL</sub>  | 20  |     |     | ns   |
| FRAME set-up time to BCLK rising edge           | t <sub>LRSU</sub> | 10  |     |     | ns   |
| FRAME hold time from BCLK rising edge           | t <sub>LRH</sub>  | 10  |     |     | ns   |
| DACDAT hold time from BCLK rising edge          | t <sub>DH</sub>   | 10  |     |     | ns   |
| ADCDAT propagation delay from BCLK falling edge | t <sub>DD</sub>   |     |     | 10  | ns   |

**Note:**

BCLK period should always be greater than or equal to MCLK period.

## CONTROL INTERFACE TIMING – 3-WIRE MODE

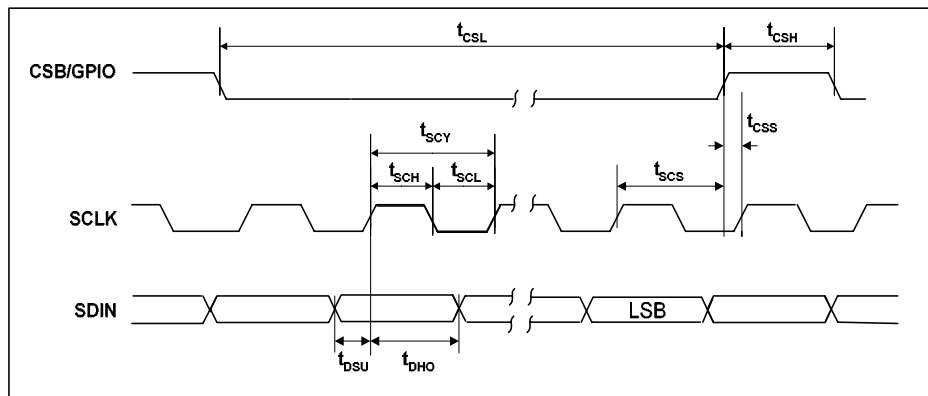


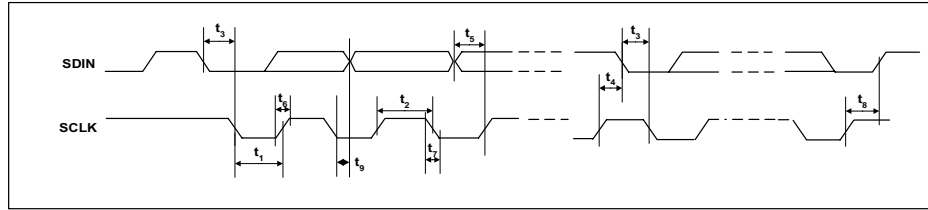
Figure 4 Control Interface Timing – 3-Wire Serial Control Mode

## Test Conditions

DCVDD = 1.62V, DBVDD = AVDD = SPKRVDD = 3.3V, DGND = AGND = SPKRGND = 0V, T<sub>A</sub> = +25°C, Slave Mode, f<sub>s</sub> = 48kHz, MCLK = 256fs, 24-bit data, unless otherwise stated.

| PARAMETER                                     | SYMBOL           | MIN | TYP | MAX | UNIT |
|-----------------------------------------------|------------------|-----|-----|-----|------|
| <b>Program Register Input Information</b>     |                  |     |     |     |      |
| SCLK rising edge to CSB rising edge           | t <sub>SCS</sub> | 80  |     |     | ns   |
| SCLK pulse cycle time                         | t <sub>SCY</sub> | 200 |     |     | ns   |
| SCLK pulse width low                          | t <sub>SCL</sub> | 80  |     |     | ns   |
| SCLK pulse width high                         | t <sub>SCH</sub> | 80  |     |     | ns   |
| SDIN to SCLK set-up time                      | t <sub>DSU</sub> | 40  |     |     | ns   |
| SCLK to SDIN hold time                        | t <sub>DHO</sub> | 40  |     |     | ns   |
| CSB pulse width low                           | t <sub>CSL</sub> | 40  |     |     | ns   |
| CSB pulse width high                          | t <sub>CSH</sub> | 40  |     |     | ns   |
| CSB rising to SCLK rising                     | t <sub>CSS</sub> | 40  |     |     | ns   |
| Pulse width of spikes that will be suppressed | t <sub>ps</sub>  | 0   |     | 5   | ns   |

**CONTROL INTERFACE TIMING – 2-WIRE MODE**



**Figure 5 Control Interface Timing – 2-Wire Serial Control Mode**

**Test Conditions**

DCVDD=1.62V, DBVDD=AVDD=SPKRVDD=3.3V, DGND=AGND=SPKRGND=0V,  $T_A = +25^\circ\text{C}$ , Slave Mode,  $f_s = 48\text{kHz}$ , MCLK = 256fs, 24-bit data, unless otherwise stated.

| PARAMETER                                     | SYMBOL   | MIN | TYP | MAX | UNIT |
|-----------------------------------------------|----------|-----|-----|-----|------|
| <b>Program Register Input Information</b>     |          |     |     |     |      |
| SCLK Frequency                                |          | 0   |     | 400 | kHz  |
| SCLK Low Pulse-Width                          | $t_1$    | 600 |     |     | ns   |
| SCLK High Pulse-Width                         | $t_2$    | 1.3 |     |     | us   |
| Hold Time (Start Condition)                   | $t_3$    | 600 |     |     | ns   |
| Setup Time (Start Condition)                  | $t_4$    | 600 |     |     | ns   |
| Data Setup Time                               | $t_5$    | 100 |     |     | ns   |
| SDIN, SCLK Rise Time                          | $t_6$    |     |     | 300 | ns   |
| SDIN, SCLK Fall Time                          | $t_7$    |     |     | 300 | ns   |
| Setup Time (Stop Condition)                   | $t_8$    | 600 |     |     | ns   |
| Data Hold Time                                | $t_9$    |     |     | 900 | ns   |
| Pulse width of spikes that will be suppressed | $t_{ps}$ | 0   |     | 5   | ns   |

## DEVICE DESCRIPTION

### INTRODUCTION

The WM8974 is a low power audio codec combining a high quality mono audio DAC and ADC, with flexible line and microphone input and output processing. Applications for this device are anticipated to include digital still cameras with mono audio, record and playback capability and also voice recorders.

#### FEATURES

The chip offers great flexibility in use, and so can support many different modes of operation as follows:

#### MICROPHONE INPUTS

Two microphone inputs are provided, allowing for either a differential microphone input or a single ended microphone to be connected. These inputs have a user programmable gain range of -12dB to +35.25dB using internal resistors. After the input PGA stage comes a boost stage which can add a further 20dB of gain. A microphone bias is output from the chip which can be used to bias the microphones. The signal routing can be configured to allow manual adjustment of mic levels, or to allow the ALC loop to control the level of mic signal that is transmitted.

Total gain through the microphone paths of up to +55.25dB can be selected.

#### PGA AND ALC OPERATION

A programmable gain amplifier is provided in the input path to the ADC. This may be used manually or in conjunction with a mixed analogue/digital automatic level control (ALC) which keeps the recording volume constant.

#### AUX INPUT

The device includes a mono input, AUX, that can be used as an input for warning tones (beep) etc. The output from this circuit can be summed into the mono output and/or the speaker output paths, so allowing for mixing of audio with 'backing music' etc as required. This path can also be summed into the input in a flexible fashion, either to the input PGA as a second microphone input or as a line input. The configuration of this circuit, with integrated on-chip resistors allows several analogue signals to be summed into the single AUX input if required.

#### ADC

The mono ADC uses a multi-bit high-order oversampling architecture to deliver optimum performance with low power consumption. Various sample rates are supported, from the 8ks/s rate typically used in voice dictation, up to the 48ks/s rate used in high quality audio applications.

#### Hi-Fi DAC

The hi-fi DAC provides high quality audio playback suitable for all portable mono audio type applications.

#### DIGITAL FILTERING

Advanced Sigma Delta Converters are used along with digital decimation and interpolation filters to give high quality audio at sample rates from 8ks/s to 48ks/s.

Application specific digital filters are also available which help to reduce the effect of specific noise sources such as 'wind noise'. The filters include a programmable ADC high pass filter, a programmable ADC notch filter and a 5-band equaliser that can be applied to either the ADC or the DAC path in order to improve the overall audio sound from the device.

#### OUTPUT MIXING AND VOLUME ADJUST

Flexible mixing is provided on the outputs of the device; a mixer is provided for the speaker outputs, and an additional mono summer for the mono output. These mixers allow the output of the DAC, the output of the ADC volume control and the Auxilliary input to be combined. The output volume can be adjusted using the integrated digital volume control and there is additional analogue gain adjustment capability on the speaker output.

#### AUDIO INTERFACES

The WM8974 has a standard audio interface, to support the transmission of audio data to and from the chip. This interface is a 4 wire standard audio interface which supports a number of audio data formats including I<sup>2</sup>S, DSP Mode, MSB-First, left justified and MSB-First, right justified, and can operate in master or slave modes.

### CONTROL INTERFACES

To allow full software control over all its features, the WM8974 offers a choice of 2 or 3 wire MPU control interface. It is fully compatible and an ideal partner for a wide range of industry standard microprocessors, controllers and DSPs. The selection between 2-wire mode and 3-wire mode is determined by the state of the MODE pin. If MODE is high then 3-wire control mode is selected, if MODE is low then 2-wire control mode is selected.

In 2 wire mode, only slave operation is supported, and the address of the device is fixed as 0011010.

### CLOCKING SCHEMES

WM8974 offers the normal audio DAC clocking scheme operation, where 256fs MCLK is provided to the DAC/ADC.

However, a PLL is also included which may be used to generate the internal master clock frequency in the event that this is not available from the system controller. This PLL uses an input clock, typically the 12MHz USB or ilink clock, to generate high quality audio clocks. If this PLL is not required for generation of these clocks, it can be reconfigured to generate alternative clocks which may then be output on the CSB/GPIO pin and used elsewhere in the system.

### POWER CONTROL

The design of the WM8974 has given much attention to power consumption without compromising performance. It operates at low supply voltages, and includes the facility to power off any unused parts of the circuitry under software control, includes standby and power off modes.

## INPUT SIGNAL PATH

The WM8974 has 3 flexible analogue inputs: two microphone inputs, and an auxiliary input. These inputs can be used in a variety of ways. The input signal path before the ADC has a flexible PGA block which then feeds into a gain boost/mixer stage.

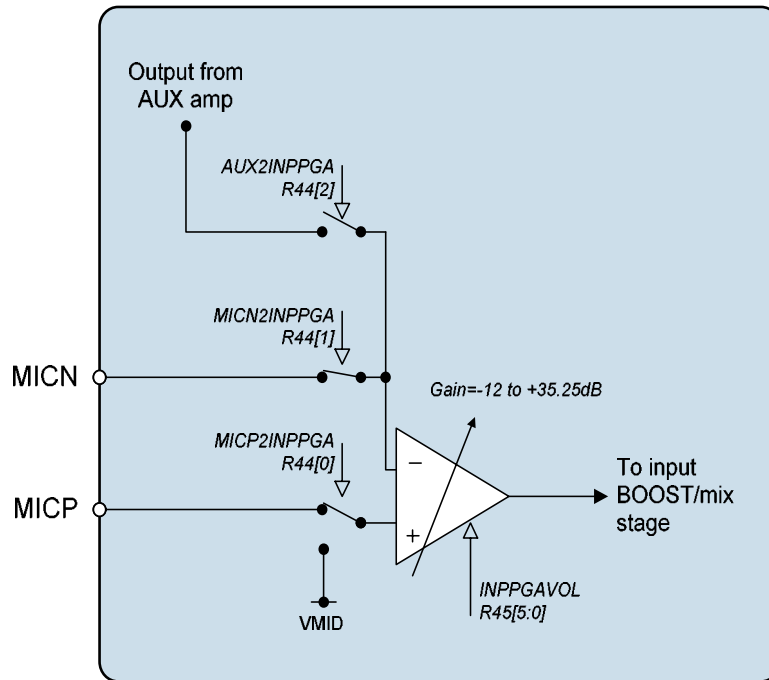
### MICROPHONE INPUTS

The WM8974 can accommodate a variety of microphone configurations including single ended and differential inputs. The inputs through the MICN, MICP and optionally AUX pins are amplified through the input PGA as shown in Figure 6.

A differential input is the preferential configuration where the positive terminal of the input PGA is connected to the MICP input pin by setting MICP2INPPGA=1. The other microphone terminal should then be connected to MICN (when MICN2INPPGA=1) or optionally to AUX (when AUX2INPPGA=1) input pins.

Single ended microphone inputs should connect to the MICP input with MICP2INPPGA set to 1. The negative terminal of the input PGA should be connected to VMID externally through a cap. This is achieved by setting register bit MICN2INPPGA=1.

Alternatively a single ended microphone can be connected to the MICN input with MICN2INPPGA set to 1. The positive terminal of the input PGA should be connected internally to VMID by setting MICP2INPPGA to 0.



**Figure 6 Microphone Input PGA Circuit**  
(switch positions shown are for differential mic input)

| REGISTER ADDRESS     | BIT | LABEL       | DEFAULT | DESCRIPTION                                                                                                                                                                                                                   |
|----------------------|-----|-------------|---------|-------------------------------------------------------------------------------------------------------------------------------------------------------------------------------------------------------------------------------|
| R44<br>Input Control | 0   | MICP2INPPGA | 1       | Connect input PGA amplifier positive terminal to MICP or VMID.<br>0 = input PGA amplifier positive terminal connected to VMID<br>1 = input PGA amplifier positive terminal connected to MICP through variable resistor string |
|                      | 1   | MICN2INPPGA | 1       | Connect MICN to input PGA negative terminal.<br>0=MICN not connected to input PGA<br>1=MICN connected to input PGA amplifier negative terminal.                                                                               |
|                      | 2   | AUX2INPPGA  | 0       | Select AUX amplifier output as input PGA signal source.<br>0=AUX not connected to input PGA<br>1=AUX connected to input PGA amplifier negative terminal.                                                                      |

The input PGA is enabled by the IPPGAEN register bit.

| REGISTER ADDRESS         | BIT | LABEL    | DEFAULT | DESCRIPTION                                                |
|--------------------------|-----|----------|---------|------------------------------------------------------------|
| R2<br>Power Management 2 | 2   | INPPGAEN | 0       | Input microphone PGA enable<br>0 = disabled<br>1 = enabled |

**INPUT PGA VOLUME CONTROL**

The input microphone PGA has a gain range from -12dB to +35.25dB in 0.75dB steps. The gain from the MICN input to the PGA output and from the AUX amplifier to the PGA output are always common and controlled by the register bits INPPGAVOL[5:0]. These register bits also affect the MICP pin when MICP2INPPGA=1.

When the Automatic Level Control (ALC) is enabled the input PGA gain is then controlled automatically and the INPPGAVOL bits should not be used.

| REGISTER ADDRESS                | BIT | LABEL      | DEFAULT | DESCRIPTION                                                                                                                                          |
|---------------------------------|-----|------------|---------|------------------------------------------------------------------------------------------------------------------------------------------------------|
| R45<br>Input PGA volume control | 5:0 | INPPGAVOL  | 010000  | Input PGA volume<br>000000 = -12dB<br>000001 = -11.25db<br>.<br>010000 = 0dB<br>.<br>111111 = 35.25dB                                                |
|                                 | 6   | INPPGAMUTE | 0       | Mute control for input PGA:<br>0=Input PGA not muted, normal operation<br>1=Input PGA muted (and disconnected from the following input BOOST stage). |
|                                 | 7   | INPPGAZC   | 0       | Input PGA zero cross enable:<br>0=Update gain when gain register changes<br>1=Update gain on 1 <sup>st</sup> zero cross after gain register write.   |
| R32<br>ALC control 1            | 8   | ALCSEL     | 0       | ALC function select:<br>0=ALC off (PGA gain set by INPPGAVOL register bits)<br>1=ALC on (ALC controls PGA gain)                                      |

Table 1 Input PGA Volume Control

**AUXILLIARY INPUT**

An auxilliary input circuit (Figure 7) is provided which consists of an amplifier which can be configured either as an inverting buffer for a single input signal or as a mixer/summer for multiple inputs with the use of external resistors. The circuit is enabled by the register bit AUXEN.

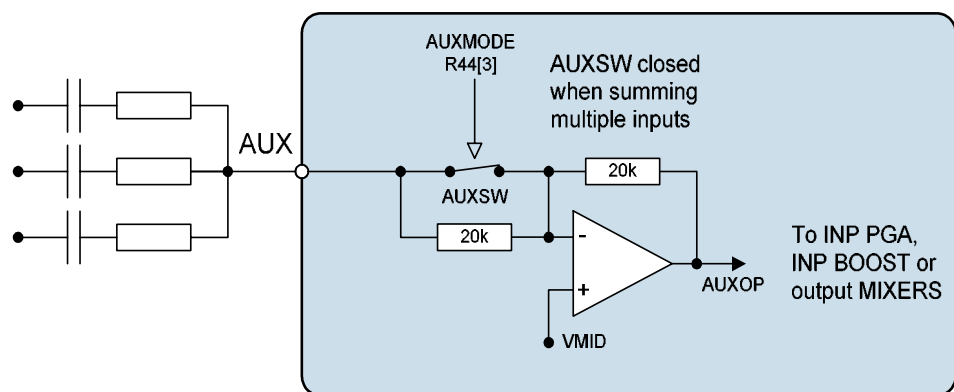


Figure 7 Auxilliary Input Circuit

The AUXMODE register bit controls the auxillary input mode of operation:

In buffer mode (AUXMODE=0) the switch labelled AUXSW in Figure 7 is open and the signal at the AUX pin will be buffered and inverted through the aux circuit using only the internal components.



In mixer mode (AUXMODE=1) the on-chip input resistor is bypassed, this allows the user to sum in multiple inputs with the use of external resistors. When used in this mode there will be gain variations through this path from part to part due to the variation of the internal 20kΩ resistors relative to the higher tolerance external resistors.

| REGISTER ADDRESS         | BIT | LABEL   | DEFAULT | DESCRIPTION                                                         |
|--------------------------|-----|---------|---------|---------------------------------------------------------------------|
| R1<br>Power management 1 | 6   | AUXEN   | 0       | Auxilliary input buffer enable<br>0 = OFF<br>1 = ON                 |
| R44<br>Input control     | 3   | AUXMODE | 0       | 0 = inverting buffer<br>1 = mixer (on-chip input resistor bypassed) |

Table 2 Auxilliary Input Buffer Control

**INPUT BOOST**

The input BOOST circuit has 3 selectable inputs: the input microphone PGA output, the AUX amplifier output and the MICP input pin (when not using a differential microphone configuration). These three inputs can be mixed together and have individual gain boost/adjust as shown in Figure 8.

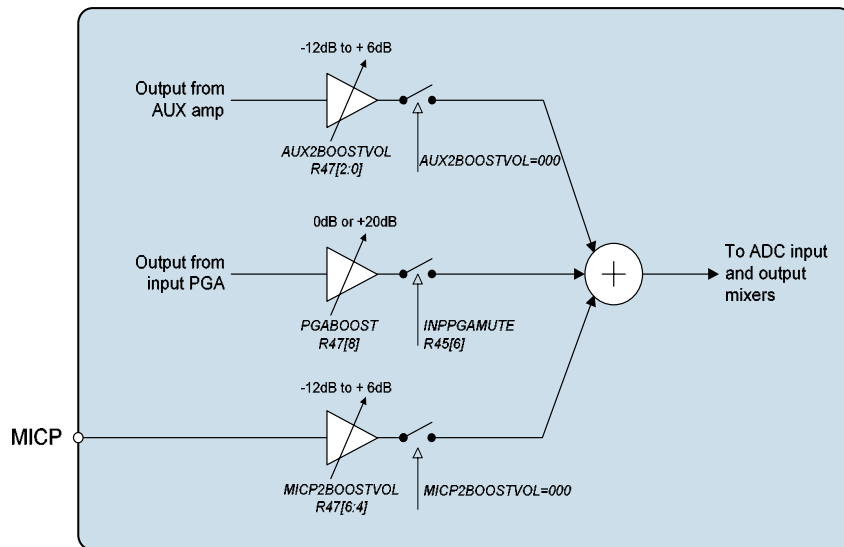


Figure 8 Input Boost Stage

The input PGA path can have a +20dB boost (PGABOOST=1) a 0dB pass through (PGABOOST=0) or be completely isolated from the input boost circuit (INPPGAMUTE=1).

| REGISTER ADDRESS              | BIT | LABEL      | DEFAULT | DESCRIPTION                                                                                                                                          |
|-------------------------------|-----|------------|---------|------------------------------------------------------------------------------------------------------------------------------------------------------|
| R45<br>Input PGA gain control | 6   | INPPGAMUTE | 0       | Mute control for input PGA:<br>0=Input PGA not muted, normal operation<br>1=Input PGA muted (and disconnected from the following input BOOST stage). |
| R47<br>Input BOOST control    | 8   | PGABOOST   | 1       | 0 = PGA output has +0dB gain through input BOOST stage.<br>1 = PGA output has +20dB gain through input BOOST stage.                                  |

Table 3 Input BOOST Stage Control

The Auxilliary amplifier path to the BOOST stage is controlled by the AUX2BOOSTVOL[2:0] register bits. When AUX2BOOSTVOL=000 this path is completely disconnected from the BOOST stage. Settings 001 through to 111 control the gain in 3dB steps from -12dB to +6dB.

The MICP path to the BOOST stage is controlled by the MICP2BOOSTVOL[2:0] register bits. When MICP2BOOSTVOL=000 this input pin is completely disconnected from the BOOST stage. Settings 001 through to 111 control the gain in 3dB steps from -12dB to +6dB.

| REGISTER ADDRESS           | BIT | LABEL         | DEFAULT | DESCRIPTION                                                                                                                                                                                                                                              |
|----------------------------|-----|---------------|---------|----------------------------------------------------------------------------------------------------------------------------------------------------------------------------------------------------------------------------------------------------------|
| R47<br>Input BOOST control | 2:0 | AUX2BOOSTVOL  | 000     | Controls the auxilliary amplifier to the input boost stage:<br>000=Path disabled (disconnected)<br>001=-12dB gain through boost stage<br>010=-9dB gain through boost stage<br>...<br>111=+6dB gain through boost stage                                   |
|                            | 6:4 | MICP2BOOSTVOL | 000     | Controls the MICP pin to the input boost stage (NB, when using this path set MICPZIUNPPGA=0):<br>000=Path disabled (disconnected)<br>001=-12dB gain through boost stage<br>010=-9dB gain through boost stage<br>...<br>111=+6dB gain through boost stage |

**Table 4 Input BOOST Stage Control**

The BOOST stage is enabled under control of the BOOSTEN register bit.

| REGISTER ADDRESS         | BIT | LABEL   | DEFAULT | DESCRIPTION                                                     |
|--------------------------|-----|---------|---------|-----------------------------------------------------------------|
| R2<br>Power management 2 | 4   | BOOSTEN | 0       | Input BOOST enable<br>0 = Boost stage OFF<br>1 = Boost stage ON |

**Table 5 Input BOOST Enable Control**

### MICROPHONE BIASING CIRCUIT

The MICBIAS output provides a low noise reference voltage suitable for biasing electret type microphones and the associated external resistor biasing network. Refer to the Applications Information section for recommended external components. The MICBIAS voltage can be altered via the MBVSEL register bit. When MBVSEL=0, MICBIAS=0.9\*AVDD and when MBVSEL=1, MICBIAS=0.75\*AVDD. The output can be enabled or disabled using the MICBEN control bit.

| REGISTER ADDRESS         | BIT | LABEL  | DEFAULT | DESCRIPTION                                                         |
|--------------------------|-----|--------|---------|---------------------------------------------------------------------|
| R1<br>Power management 1 | 4   | MICBEN | 0       | Microphone Bias Enable<br>0 = OFF (high impedance output)<br>1 = ON |

| REGISTER ADDRESS     | BIT | LABEL  | DEFAULT | DESCRIPTION                                                          |
|----------------------|-----|--------|---------|----------------------------------------------------------------------|
| R44<br>Input Control | 8   | MBVSEL | 0       | Microphone Bias Voltage Control<br>0 = 0.9 * AVDD<br>1 = 0.75 * AVDD |

The internal MICBIAS circuitry is shown in Figure 9. Note that the maximum source current capability for MICBIAS is 3mA. The external biasing resistors therefore must be large enough to limit the MICBIAS current to 3mA.

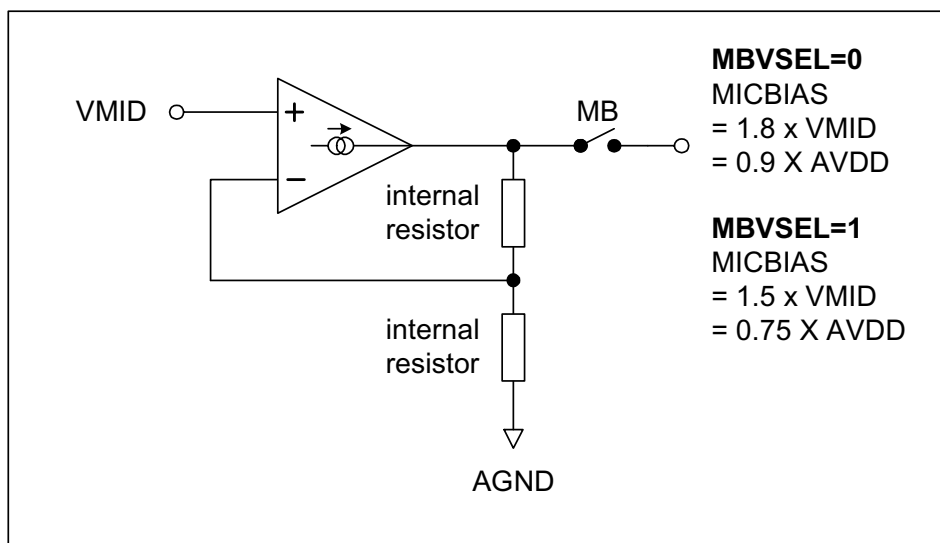


Figure 9 Microphone Bias Schematic

### ANALOGUE TO DIGITAL CONVERTER (ADC)

The WM8974 uses a multi-bit, oversampled sigma-delta ADC channel. The use of multi-bit feedback and high oversampling rates reduces the effects of jitter and high frequency noise. The ADC Full Scale input level is proportional to AVDD. With a 3.3V supply voltage, the full scale level is 1.0V<sub>rms</sub>. Any voltage greater than full scale may overload the ADC and cause distortion.

#### ADC DIGITAL FILTERS

The ADC filters perform true 24 bit signal processing to convert the raw multi-bit oversampled data from the ADC to the correct sampling frequency to be output on the digital audio interface. The digital filter path is illustrated in Figure 10.

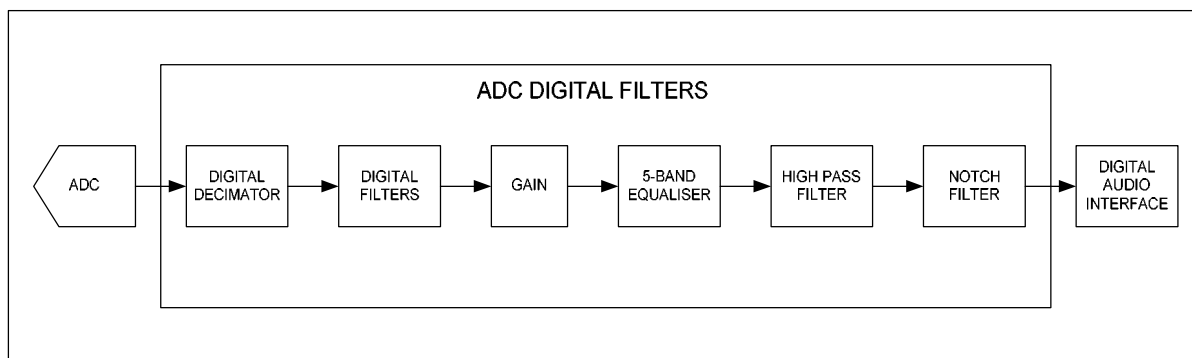


Figure 10 ADC Digital Filter Path

The ADC is enabled by the ADCEN register bit.

| REGISTER ADDRESS         | BIT | LABEL | DEFAULT | DESCRIPTION                         |
|--------------------------|-----|-------|---------|-------------------------------------|
| R2<br>Power management 2 | 0   | ADCEN | 0       | 0 = ADC disabled<br>1 = ADC enabled |

The polarity of the output signal can also be changed under software control using the ADCPOL register bit. The oversampling rate of the ADC can be adjusted using the ADCOSR register bit. With ADCOSR=0 the oversample rate is 64x which gives lowest power operation and when ADCOSR=1 the oversample rate is 128x which gives best performance.

| REGISTER ADDRESS   | BIT | LABEL  | DEFAULT | DESCRIPTION                                                                     |
|--------------------|-----|--------|---------|---------------------------------------------------------------------------------|
| R14<br>ADC Control | 3   | ADCOSR | 0       | ADC oversample rate select:<br>0=64x (lower power)<br>1=128x (best performance) |
|                    | 0   | ADCPOL | 0       | 0=normal<br>1=inverted                                                          |

**SELECTABLE HIGH PASS FILTER**

A selectable high pass filter is provided. To disable this filter set HPFEN=0. The filter has two modes controlled by HPFAPP. In Audio Mode (HPFAPP=0) the filter is first order, with a cut-off frequency of 3.7Hz. In Application Mode (HPFAPP=1) the filter is second order, with a cut-off frequency selectable via the HPFCUT register. The cut-off frequencies when HPFAPP=1 are shown in Table 6.

| REGISTER ADDRESS   | BIT | LABEL  | DEFAULT | DESCRIPTION                                                                                                                                           |
|--------------------|-----|--------|---------|-------------------------------------------------------------------------------------------------------------------------------------------------------|
| R14<br>ADC Control | 8   | HPFEN  | 1       | High Pass Filter Enable<br>0=disabled<br>1=enabled                                                                                                    |
|                    | 7   | HPFAPP | 0       | Select audio mode or application mode<br>0=Audio mode (1 <sup>st</sup> order, fc = ~3.7Hz)<br>1=Application mode (2 <sup>nd</sup> order, fc = HPFCUT) |
|                    | 6:4 | HPFCUT | 000     | Application mode cut-off frequency<br>See Table 6 for details.                                                                                        |

| HPFCUT | FS (KHZ)   |        |     |            |       |     |            |      |     |
|--------|------------|--------|-----|------------|-------|-----|------------|------|-----|
|        | SR=101/100 |        |     | SR=011/010 |       |     | SR=001/000 |      |     |
|        | 8          | 11.025 | 12  | 16         | 22.05 | 24  | 32         | 44.1 | 48  |
| 000    | 82         | 113    | 122 | 82         | 113   | 122 | 82         | 113  | 122 |
| 001    | 102        | 141    | 153 | 102        | 141   | 153 | 102        | 141  | 153 |
| 010    | 131        | 180    | 156 | 131        | 180   | 156 | 131        | 180  | 156 |
| 011    | 163        | 225    | 245 | 163        | 225   | 245 | 163        | 225  | 245 |
| 100    | 204        | 281    | 306 | 204        | 281   | 306 | 204        | 281  | 306 |
| 101    | 261        | 360    | 392 | 261        | 360   | 392 | 261        | 360  | 392 |
| 110    | 327        | 450    | 490 | 327        | 450   | 490 | 327        | 450  | 490 |
| 111    | 408        | 563    | 612 | 408        | 563   | 612 | 408        | 563  | 612 |

**Table 6 High Pass Filter Cut-off Frequencies (HPFAPP=1)**

Note that the High Pass filter values (when HPFAPP=1) work on the basis that the SR register bits are set correctly for the actual sample rate as shown in Table 6.

**PROGRAMMABLE NOTCH FILTER**

A programmable notch filter is provided. This filter has a variable centre frequency and bandwidth, programmable via two coefficients,  $a_0$  and  $a_1$ .  $a_0$  and  $a_1$  are represented by the register bits NFA0[13:0] and NFA1[13:0]. Because these coefficient values require four register writes to setup there is an NFU (Notch Filter Update) flag which should be set only when all four registers are setup.

| REGISTER ADDRESS      | BIT | LABEL      | DEFAULT | DESCRIPTION                                                                                                    |
|-----------------------|-----|------------|---------|----------------------------------------------------------------------------------------------------------------|
| R27<br>Notch Filter 1 | 6:0 | NFA0[13:7] | 0       | Notch Filter $a_0$ coefficient, bits [13:7]                                                                    |
|                       | 7   | NFEN       | 0       | Notch filter enable:<br>0=Disabled<br>1=Enabled                                                                |
|                       | 8   | NFU        | 0       | Notch filter update. The notch filter values used internally only update when one of the NFU bits is set high. |
| R28<br>Notch Filter 2 | 6:0 | NFA0[6:0]  | 0       | Notch Filter $a_0$ coefficient, bits [6:0]                                                                     |
|                       | 8   | NFU]       | 0       | Notch filter update. The notch filter values used internally only update when one of the NFU bits is set high. |
| R29<br>Notch Filter 3 | 6:0 | NFA1[13:7] | 0       | Notch Filter $a_1$ coefficient, bits [13:7]                                                                    |
|                       | 8   | NFU        | 0       | Notch filter update. The notch filter values used internally only update when one of the NFU bits is set high. |
| R30<br>Notch Filter 4 | 6:0 | NFA1[6:0]  | 0       | Notch Filter $a_1$ coefficient, bits [6:0]                                                                     |
|                       | 8   | NFU        | 0       | Notch filter update. The notch filter values used internally only update when one of the NFU bits is set high. |

**Table 7 Notch Filter Function**

The coefficients are calculated as follows:

$$a_0 = \frac{1 - \tan(w_b / 2)}{1 + \tan(w_b / 2)}$$

$$a_1 = -(1 + a_0) \cos(w_0)$$

Where:

$$w_0 = 2\pi f_c / f_s$$

$$w_b = 2\pi f_b / f_s$$

$f_c$  = centre frequency in Hz,  $f_b$  = -3dB bandwidth in Hz,  $f_s$  = sample frequency in Hz

The actual register values can be determined from the coefficients as follows:

$$\text{NFA0} = -a_0 \times 2^{13}$$

$$\text{NFA1} = -a_1 \times 2^{12}$$

**DIGITAL ADC VOLUME CONTROL**

The output of the ADCs can be digitally attenuated over a range from -127dB to 0dB in 0.5dB steps. The gain for a given eight-bit code X is given by:

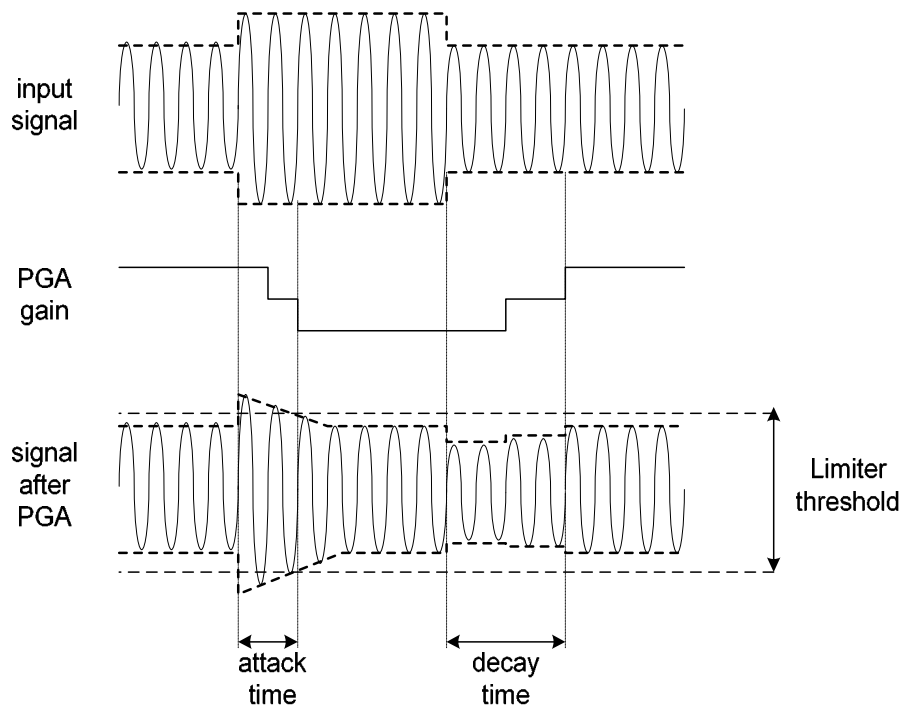
$$\text{Gain} = 0.5 \times (x - 255) \text{ dB for } 1 \leq x \leq 255, \text{ MUTE for } x = 0$$

| REGISTER ADDRESS          | BIT | LABEL           | DEFAULT             | DESCRIPTION                                                                                                                                           |
|---------------------------|-----|-----------------|---------------------|-------------------------------------------------------------------------------------------------------------------------------------------------------|
| R15<br>ADC Digital Volume | 7:0 | ADCVOL<br>[7:0] | 11111111<br>( 0dB ) | Left ADC Digital Volume Control<br>0000 0000 = Digital Mute<br>0000 0001 = -127dB<br>0000 0010 = -126.5dB<br>... 0.5dB steps up to<br>1111 1111 = 0dB |

**INPUT LIMITER / AUTOMATIC LEVEL CONTROL (ALC)**

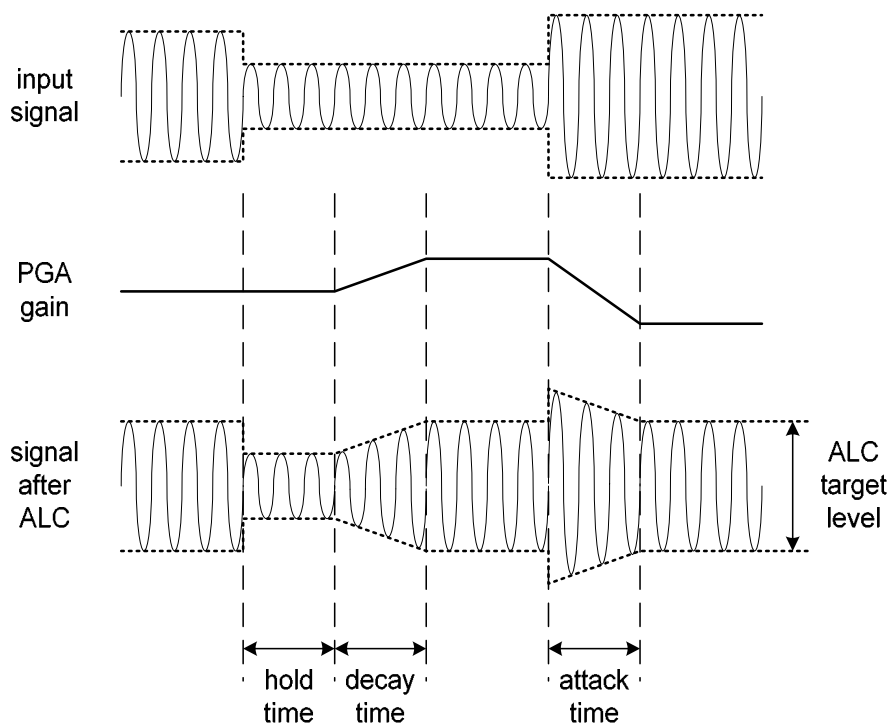
The WM8974 has an automatic pga gain control circuit, which can function as an input peak limiter or as an automatic level control (ALC).

In input peak limiter mode (ALCMODE bit = 1), a digital peak detector detects when the input signal goes above a predefined level and will ramp the pga gain down to prevent the signal becoming too large for the input range of the ADC. When the signal returns to a level below the threshold, the pga gain is slowly returned to its starting level. The peak limiter cannot increase the pga gain above its static level.



**Figure 11 Input Peak Limiter Operation**

In ALC mode (ALCMODE bit = 0) the circuit aims to keep a constant recording volume irrespective of the input signal level. This is achieved by continuously adjusting the PGA gain so that the signal level at the ADC input remains constant. A digital peak detector monitors the ADC output and changes the PGA gain if necessary.



**Figure 12 ALC Operation**

The ALC/Limiter function is enabled by setting the register bit ALCSEL. When enabled, the recording volume can be programmed between  $-6\text{dB}$  and  $-28.5\text{dB}$  (relative to ADC full scale) using the ALCLVL register bits. An upper limit for the PGA gain can be imposed by setting the ALCMAX control bits and a lower limit for the PGA gain can be imposed by setting the ALCMIN control bits.

ALCHLD, ALCDCY and ALCATK control the hold, decay and attack times, respectively:

**Hold** time is the time delay between the peak level detected being below target and the PGA gain beginning to ramp up. It can be programmed in power-of-two ( $2^n$ ) steps, e.g. 2.67ms, 5.33ms, 10.67ms etc. up to 43.7s. Alternatively, the hold time can also be set to zero. The hold time is not active in limiter mode (ALCMODE = 1). The hold time only applies to gain ramp-up, there is no delay before ramping the gain down when the signal level is above target.

**Decay** (Gain Ramp-Up) Time is the time that it takes for the PGA gain to ramp up and is given as a time per gain step, time per 6dB change and time to ramp up over 90% of its range. The decay time can be programmed in power-of-two ( $2^n$ ) steps, from 3.3ms/6dB, 6.6ms/6dB, 13.1ms/6dB, etc. to 3.36s/6dB.

**Attack** (Gain Ramp-Down) Time is the time that it takes for the PGA gain to ramp down and is given as a time per gain step, time per 6dB change and time to ramp down over 90% of its range. The attack time can be programmed in power-of-two ( $2^n$ ) steps, from 832us/6dB, 1.66ms/6dB, 3.32ms/6dB, etc. to 852ms/6dB.

NB, In peak limiter mode the gain control circuit runs approximately 4x faster to allow reduction of fast peaks. Attack and Decay times for peak limiter mode are given below.

The hold, decay and attack times given in Table 8 are constant across sample rates so long as the SR bits are set correctly. E.g. when sampling at 48kHz the sample rates stated in Table 8 will only be correct if the SR bits are set to 000 (48kHz). If the actual sample rate was only 44.1kHz then the hold, decay and attack times would be scaled down by 44.1/48.

| REGISTER ADDRESS     | BIT | LABEL               | DEFAULT            | DESCRIPTION                                                                                                                                          |
|----------------------|-----|---------------------|--------------------|------------------------------------------------------------------------------------------------------------------------------------------------------|
| R32<br>ALC Control 1 | 8   | ALCSEL              | 0                  | ALC function select<br>0=ALC disabled<br>1=ALC enabled                                                                                               |
|                      | 5:3 | ALCMAXGAIN<br>[2:0] | 111<br>(+35.25dB)  | Set Maximum Gain of PGA<br>111=+35.25dB<br>110=+29.25dB<br>101=+23.25dB<br>100=+17.25dB<br>011=+11.25dB<br>010=+5.25dB<br>001=-0.75dB<br>000=-6.75dB |
|                      | 2:0 | ALCMINGAIN<br>[2:0] | 000 (-12dB)        | Set minimum gain of PGA<br>000=-12dB<br>001=-6dB<br>010=0dB<br>011=+6dB<br>100=+12dB<br>101=+18dB<br>110=+24dB<br>111=+30dB                          |
| R33<br>ALC Control 2 | 7:4 | ALCHLD<br>[3:0]     | 0000<br>(0ms)      | ALC hold time before gain is increased.<br>0000 = 0ms<br>0001 = 2.67ms<br>0010 = 5.33ms<br>... (time doubles with every step)<br>1111 = 43.691s      |
|                      | 3:0 | ALCLVL<br>[3:0]     | 1011<br>(-12dB)    | ALC target – sets signal level at ADC input<br>0000 = -28.5dB FS<br>0001 = -27.0dB FS<br>... (1.5dB steps)<br>1110 = -7.5dB FS<br>1111 = -6dB FS     |
|                      | 8   | ALCZC               | 0 (zero cross off) | ALC uses zero cross detection circuit.                                                                                                               |



|                                    |                 |                     |                                                   |                                                                        |          |              |              |
|------------------------------------|-----------------|---------------------|---------------------------------------------------|------------------------------------------------------------------------|----------|--------------|--------------|
| R34<br>ALC Control 3               | 8               | ALCMODE             | 0                                                 | Determines the ALC mode of operation:<br>0=ALC mode<br>1=Limiter mode. |          |              |              |
|                                    | 7:4             | ALCDCY<br>[3:0]     | 0011<br>(13ms/6dB)                                | Decay (gain ramp-up) time<br>(ALCMODE = 0)                             |          |              |              |
|                                    |                 |                     |                                                   |                                                                        | Per step | Per 6dB      | 90% of range |
|                                    |                 |                     |                                                   | 0000                                                                   | 410us    | 3.3ms        | 24ms         |
|                                    |                 |                     |                                                   | 0001                                                                   | 820us    | 6.6ms        | 48ms         |
|                                    |                 |                     |                                                   | 0010                                                                   | 1.64ms   | 13.1ms       | 192ms        |
|                                    |                 |                     |                                                   | ... (time doubles with every step)                                     |          |              |              |
|                                    | 1010 or higher  | 420ms               | 3.36s                                             | 24.576s                                                                |          |              |              |
|                                    | 3:0             | ALCATK<br>[3:0]     | 0010<br>(832us/6dB)                               | Decay (gain ramp-up) time<br>(ALCMODE = 1)                             |          |              |              |
|                                    |                 |                     |                                                   |                                                                        | Per step | Per 6dB      | 90% of range |
| 0000                               |                 |                     |                                                   | 90.8us                                                                 | 726.4us  | 5.26ms       |              |
| 0001                               |                 |                     |                                                   | 181.6us                                                                | 1.453ms  | 10.53ms      |              |
| 0010                               |                 |                     |                                                   | 363.2us                                                                | 2.905ms  | 21.06ms      |              |
| ... (time doubles with every step) |                 |                     |                                                   |                                                                        |          |              |              |
| 1010                               | 93ms            | 744ms               | 5.39s                                             |                                                                        |          |              |              |
| 3:0                                | ALCATK<br>[3:0] | 0010<br>(832us/6dB) | ALC attack (gain ramp-down) time<br>(ALCMODE = 0) |                                                                        |          |              |              |
|                                    |                 |                     |                                                   | Per step                                                               | Per 6dB  | 90% of range |              |
|                                    |                 |                     | 0000                                              | 104us                                                                  | 832us    | 6ms          |              |
|                                    |                 |                     | 0001                                              | 208us                                                                  | 1.664ms  | 12ms         |              |
|                                    |                 |                     | 0010                                              | 416us                                                                  | 3.328ms  | 24.1ms       |              |
|                                    |                 |                     | ... (time doubles with every step)                |                                                                        |          |              |              |
| 1010 or higher                     | 106ms           | 852ms               | 6.18s                                             |                                                                        |          |              |              |
| 3:0                                | ALCATK<br>[3:0] | 0010<br>(182us/6dB) | ALC attack (gain ramp-down) time<br>(ALCMODE = 1) |                                                                        |          |              |              |
|                                    |                 |                     |                                                   | Per step                                                               | Per 6dB  | 90% of range |              |
|                                    |                 |                     | 0000                                              | 22.7us                                                                 | 182.4us  | 1.31ms       |              |
|                                    |                 |                     | 0001                                              | 45.4us                                                                 | 363.2us  | 2.62ms       |              |
|                                    |                 |                     | 0010                                              | 90.8us                                                                 | 726.4us  | 5.26ms       |              |
|                                    |                 |                     | ... (time doubles with every step)                |                                                                        |          |              |              |
| 1010                               | 23.2ms          | 186ms               | 1.348s                                            |                                                                        |          |              |              |

Table 8 ALC Control Registers

## ALC CLIP PROTECTION

To prevent clipping when a large signal occurs just after a period of quiet, the ALC circuit includes a clip protection function. If the ADC input signal exceeds 87.5% of full scale ( $-1.16\text{dB}$ ), the PGA gain is ramped down at the maximum attack rate (as when  $\text{ALCATK} = 0000$ ), until the signal level falls below 87.5% of full scale. This function is automatically enabled whenever the ALC is enabled.

### Note:

If  $\text{ATK} = 0000$ , then the clip protection circuit makes no difference to the operation of the ALC. It is designed to prevent clipping when long attack times are used.

## NOISE GATE

When the signal is very quiet and consists mainly of noise, the ALC function may cause "noise pumping", i.e. loud hissing noise during silence periods. The WM8974 has a noise gate function that prevents noise pumping by comparing the signal level at the input pins against a noise gate threshold,  $\text{NGTH}$ . The noise gate cuts in when:

$$\text{Signal level at ADC [dB]} < \text{NGTH [dB]} + \text{PGA gain [dB]} + \text{Mic Boost gain [dB]}$$

This is equivalent to:

$$\text{Signal level at input pin [dB]} < \text{NGTH [dB]}$$

The PGA gain is then held constant (preventing it from ramping up as it normally would when the signal is quiet).

The table below summarises the noise gate control register. The  $\text{NGTH}$  control bits set the noise gate threshold with respect to the ADC full-scale range. The threshold is adjusted in 6dB steps. Levels at the extremes of the range may cause inappropriate operation, so care should be taken with set-up of the function. Note that the noise gate only works in conjunction with the ALC function.

| REGISTER ADDRESS              | BIT | LABEL  | DEFAULT | DESCRIPTION                                                                                  |
|-------------------------------|-----|--------|---------|----------------------------------------------------------------------------------------------|
| R35<br>ALC Noise Gate Control | 2:0 | NGTH   | 000     | Noise gate threshold:<br>000=-39dB<br>001=-45dB<br>010=-51db<br>... (6dB steps)<br>111=-81dB |
|                               | 3   | NGATEN | 0       | Noise gate function enable<br>1 = enable<br>0 = disable                                      |

Table 9 ALC Noise Gate Control

## OUTPUT SIGNAL PATH

The WM8974 output signal paths consist of digital application filters, up-sampling filters, a Hi-Fi DAC, analogue mixers, speaker and mono output drivers. The digital filters and DAC are enabled by bit  $\text{DACEN}$ . The mixers and output drivers can be separately enabled by individual control bits (see Analogue Outputs). Thus it is possible to utilise the analogue mixing and amplification provided by the WM8974, irrespective of whether the DACs are running or not.

The WM8974 DAC receives digital input data on the  $\text{DACDAT}$  pin. The digital filter block processes the data to provide the following functions:

- § Digital volume control
- § Graphic equaliser
- § A digital peak limiter.
- § Sigma-Delta Modulation

The high performance sigma-delta audio DAC converts the digital data into an analogue signal.

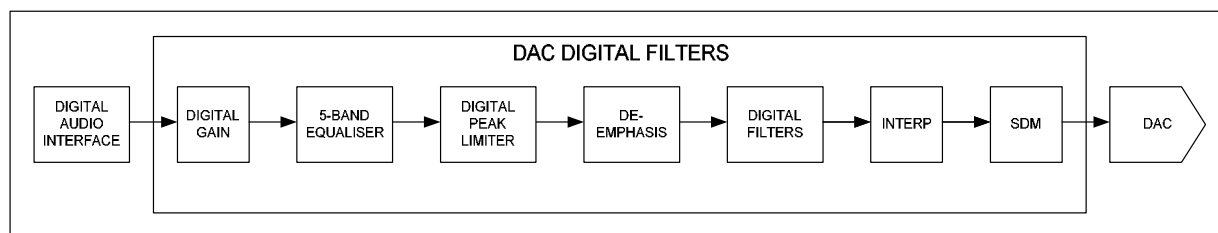


Figure 13 DAC Digital Filter Path

The analogue output from the DAC can then be mixed with the AUX analogue input and the ADC analogue input. The mix is fed to the output drivers, SPKROUTP/N, and MONOOUT.

MONOOUT: can drive a 16Ω or 32Ω headphone or line output or can be a buffered version of VMID (When MONOMUTE=1).

SPKROUTP/N: can drive a 16Ω or 32Ω stereo headphone or stereo line output, or an 8Ω BTL mono speaker.

### DIGITAL HI-FI DAC VOLUME CONTROL

The signal volume from each Hi-Fi DAC can be controlled digitally. The gain and attenuation range is -127dB to 0dB in 0.5dB steps. The level of attenuation for an eight-bit code X is given by:

$$0.5 \times (X-255) \text{ dB for } 1 \leq X \leq 255; \quad \text{MUTE for } X = 0$$

| REGISTER ADDRESS          | BIT | LABEL           | DEFAULT             | DESCRIPTION                                                                                                                                           |
|---------------------------|-----|-----------------|---------------------|-------------------------------------------------------------------------------------------------------------------------------------------------------|
| R11<br>DAC Digital Volume | 7:0 | DACVOL<br>[7:0] | 11111111<br>( 0dB ) | Left DAC Digital Volume Control<br>0000 0000 = Digital Mute<br>0000 0001 = -127dB<br>0000 0010 = -126.5dB<br>... 0.5dB steps up to<br>1111 1111 = 0dB |

### HI-FI DIGITAL TO ANALOGUE CONVERTER (DAC)

After passing through the graphic equaliser filters, digital 'de-emphasis' can be applied to the audio data if necessary (e.g. when the data comes from a CD with pre-emphasis used in the recording). De-emphasis filtering is available for sample rates of 48kHz, 44.1kHz and 32kHz.

The DAC is enabled by the DACEN register bit..

| REGISTER ADDRESS         | BIT | LABEL | DEFAULT | DESCRIPTION                                       |
|--------------------------|-----|-------|---------|---------------------------------------------------|
| R3<br>Power Management 3 | 0   | DACEN | 0       | DAC enable<br>0 = DAC disabled<br>1 = DAC enabled |

The WM8974 also has a Soft Mute function, which gradually attenuates the volume of the digital signal to zero. When removed, the gain will ramp back up to the digital gain setting. This function is enabled by default. To play back an audio signal, it must first be disabled by setting the DACMU bit to zero.

| REGISTER ADDRESS   | BIT | LABEL          | DEFAULT | DESCRIPTION                                                                                                                 |
|--------------------|-----|----------------|---------|-----------------------------------------------------------------------------------------------------------------------------|
| R10<br>DAC Control | 6   | DACMU          | 1       | DAC Softmute:<br>0 = Unmuted<br>1 = Muted                                                                                   |
|                    | 5:4 | DEEMP<br>[1:0] | 00      | De-emphasis Control:<br>00 = No De-emphasis<br>01 = 32kHz sample rate<br>10 = 44.1kHz sample rate<br>11 = 48kHz sample rate |
|                    | 3   | DACOSR         | 0       | DAC oversampling rate:<br>0=64x (lowest power)<br>1=128x (best performance)                                                 |
|                    | 2   | AMUTE          | 0       | Automute enable<br>0 = Amute disabled<br>1 = Amute enabled                                                                  |
|                    | 0   | DACPOL         | 0       | DAC output polarity:<br>0 = non-inverted<br>1 = inverted (180 degrees phase shift)                                          |

**Table 10 DAC Control Register**

The digital audio data is converted to oversampled bit streams in the on-chip, true 24-bit digital interpolation filters. The bitstream data enters a multi-bit, sigma-delta DAC, which converts it to a high quality analogue audio signal. The multi-bit DAC architecture reduces high frequency noise and sensitivity to clock jitter.

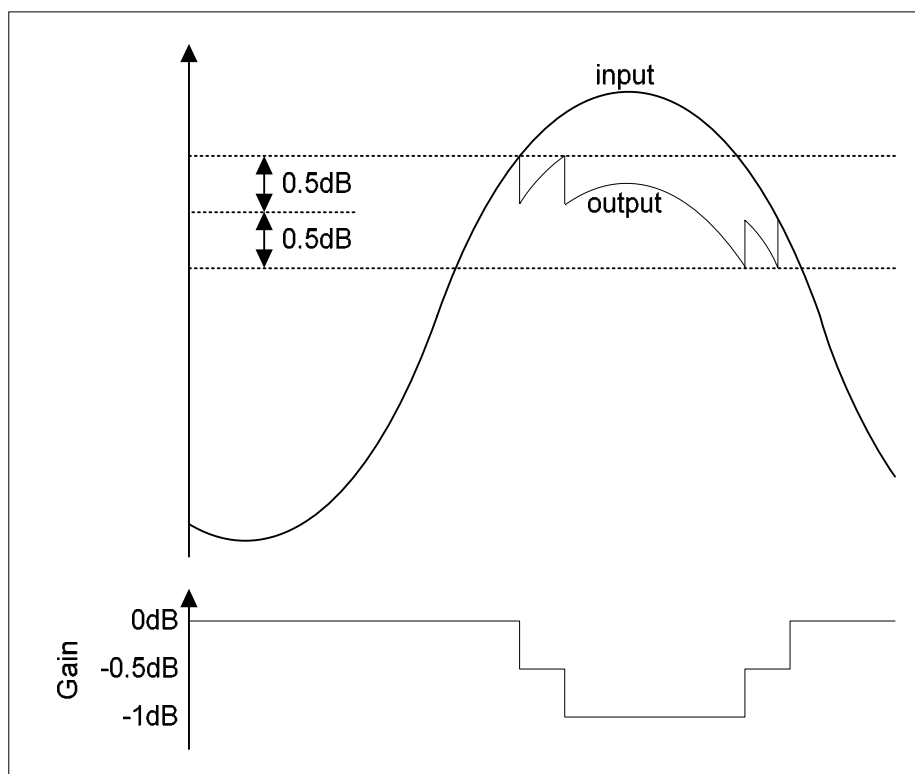
The DAC output defaults to non-inverted. Setting DACPOL will invert the DAC output phase on both left and right channels.

#### **AUTOMUTE**

The DAC has an automute function which applied an analogue mute when 1024 consecutive zeros are detected. The mute is release as soon as a non-zero sample is detected. Automute can be disabled using the AMUTE control bit.

#### **DAC OUTPUT LIMITER**

The WM8974 has a digital output limiter function. The operation of this is shown in Figure 14. In this diagram the upper graph shows the envelope of the input/output signals and the lower graph shows the gain characteristic.



**Figure 14 DAC Digital Limiter Operation**

The limiter has a programmable upper threshold which is close to 0dB. Referring to Figure 14, in normal operation (LIMBOOST=000 => limit only) signals below this threshold are unaffected by the limiter. Signals above the upper threshold are attenuated at a specific attack rate (set by the LIMATK register bits) until the signal falls below the threshold. The limiter also has a lower threshold 1dB below the upper threshold. When the signal falls below the lower threshold the signal is amplified at a specific decay rate (controlled by LIMDCY register bits) until a gain of 0dB is reached. Both threshold levels are controlled by the LIMLVL register bits. The upper threshold is 0.5dB above the value programmed by LIMLVL and the lower threshold is 0.5dB below the LIMLVL value.

#### **VOLUME BOOST**

The limiter has programmable upper gain which boosts signals below the threshold to compress the dynamic range of the signal and increase its perceived loudness. This operates as an ALC function with limited boost capability. The volume boost is from 0dB to +12dB in 1dB steps, controlled by the LIMBOOST register bits.

The output limiter volume boost can also be used as a stand alone digital gain boost when the limiter is disabled.

| REGISTER ADDRESS                     | BIT | LABEL    | DEFAULT | DESCRIPTION                                                                                                                                                                                                                                                                          |
|--------------------------------------|-----|----------|---------|--------------------------------------------------------------------------------------------------------------------------------------------------------------------------------------------------------------------------------------------------------------------------------------|
| R24<br>DAC digital limiter control 1 | 3:0 | LIMATK   | 0010    | Limiter Attack time (per 6dB gain change) for 44.1kHz sampling. Note that these will scale with sample rate.<br>0000=94us<br>0001=188s<br>0010=375us<br>0011=750us<br>0100=1.5ms<br>0101=3ms<br>0110=6ms<br>0111=12ms<br>1000=24ms<br>1001=48ms<br>1010=96ms<br>1011 to 1111=192ms   |
|                                      | 7:4 | LIMDCY   | 0011    | Limiter Decay time (per 6dB gain change) for 44.1kHz sampling. Note that these will scale with sample rate:<br>0000=750us<br>0001=1.5ms<br>0010=3ms<br>0011=6ms<br>0100=12ms<br>0101=24ms<br>0110=48ms<br>0111=96ms<br>1000=192ms<br>1001=384ms<br>1010=768ms<br>1011 to 1111=1.536s |
|                                      | 8   | LIMEN    | 0       | Enable the DAC digital limiter:<br>0=disabled<br>1=enabled                                                                                                                                                                                                                           |
| R25<br>DAC digital limiter control 2 | 3:0 | LIMBOOST | 0000    | Limiter volume boost (can be used as a stand alone volume boost when LIMEN=0):<br>0000=0dB<br>0001=+1dB<br>0010=+2dB<br>... (1dB steps)<br>1011=+11dB<br>1100=+12dB<br>1101 to 1111=reserved                                                                                         |
|                                      | 6:4 | LIMLVL   | 000     | Programmable signal threshold level (determines level at which the limiter starts to operate)<br>000=-1dB<br>001=-2dB<br>010=-3dB<br>011=-4dB<br>100=-5dB<br>101 to 111=-6dB                                                                                                         |

Table 11 DAC Digital Limiter Control

**GRAPHIC EQUALISER**

A 5-band graphic EQ is provided, which can be applied to the ADC or DAC path under control of the EQMODE register bit.

| REGISTER ADDRESS    | BIT | LABEL  | DEFAULT | DESCRIPTION                                                            |
|---------------------|-----|--------|---------|------------------------------------------------------------------------|
| R18<br>EQ Control 1 | 8   | EQMODE | 1       | 0 = Equaliser applied to ADC path<br>1 = Equaliser applied to DAC path |

**Table 12 EQ DAC or ADC Path Select**

The equaliser consists of low and high frequency shelving filters (Band 1 and 5) and three peak filters for the centre bands. Each has adjustable cut-off or centre frequency, and selectable boost (+/- 12dB in 1dB steps). The peak filters have selectable bandwidth.

| REGISTER ADDRESS            | BIT | LABEL | DEFAULT        | DESCRIPTION                                                              |
|-----------------------------|-----|-------|----------------|--------------------------------------------------------------------------|
| R18<br>EQ Band 1<br>Control | 4:0 | EQ1G  | 01100<br>(0dB) | Band 1 Gain Control. See Table 18 for details.                           |
|                             | 6:5 | EQ1C  | 01             | Band 1 Cut-off Frequency:<br>00=80Hz<br>01=105Hz<br>10=135Hz<br>11=175Hz |

**Table 13 EQ Band 1 Control**

| REGISTER ADDRESS            | BIT | LABEL | DEFAULT        | DESCRIPTION                                                              |
|-----------------------------|-----|-------|----------------|--------------------------------------------------------------------------|
| R19<br>EQ Band 2<br>Control | 4:0 | EQ2G  | 01100<br>(0dB) | Band 2 Gain Control. See Table 18 for details.                           |
|                             | 6:5 | EQ2C  | 01             | Band 2 Centre Frequency:<br>00=230Hz<br>01=300Hz<br>10=385Hz<br>11=500Hz |
|                             | 8   | EQ2BW | 0              | Band 2 Bandwidth Control<br>0=narrow bandwidth<br>1=wide bandwidth       |

**Table 14 EQ Band 2 Control**

| REGISTER ADDRESS            | BIT | LABEL | DEFAULT        | DESCRIPTION                                                                |
|-----------------------------|-----|-------|----------------|----------------------------------------------------------------------------|
| R20<br>EQ Band 3<br>Control | 4:0 | EQ3G  | 01100<br>(0dB) | Band 3 Gain Control. See Table 18 for details.                             |
|                             | 6:5 | EQ3C  | 01             | Band 3 Centre Frequency:<br>00=650Hz<br>01=850Hz<br>10=1.1kHz<br>11=1.4kHz |
|                             | 8   | EQ3BW | 0              | Band 3 Bandwidth Control<br>0=narrow bandwidth<br>1=wide bandwidth         |

**Table 15 EQ Band 3 Control**

| REGISTER ADDRESS            | BIT | LABEL | DEFAULT        | DESCRIPTION                                                                  |
|-----------------------------|-----|-------|----------------|------------------------------------------------------------------------------|
| R21<br>EQ Band 4<br>Control | 4:0 | EQ4G  | 01100<br>(0dB) | Band 4 Gain Control. See Table 18 for details                                |
|                             | 6:5 | EQ4C  | 01             | Band 4 Centre Frequency:<br>00=1.8kHz<br>01=2.4kHz<br>10=3.2kHz<br>11=4.1kHz |
|                             | 8   | EQ4BW | 0              | Band 4 Bandwidth Control<br>0=narrow bandwidth<br>1=wide bandwidth           |

Table 16 EQ Band 4 Control

| REGISTER ADDRESS                 | BIT | LABEL | DEFAULT        | DESCRIPTION                                                                  |
|----------------------------------|-----|-------|----------------|------------------------------------------------------------------------------|
| R22<br>EQ Band 5<br>Gain Control | 4:0 | EQ5G  | 01100<br>(0dB) | Band 5 Gain Control. See Table 18 for details.                               |
|                                  | 6:5 | EQ5C  | 01             | Band 5 Cut-off Frequency:<br>00=5.3kHz<br>01=6.9kHz<br>10=9kHz<br>11=11.7kHz |

Table 17 EQ Band 5 Control

| GAIN REGISTER    | GAIN  |
|------------------|-------|
| 00000            | +12dB |
| 00001            | +11dB |
| 00010            | +10dB |
| .... (1dB steps) |       |
| 01100            | 0dB   |
| 01101            | -1dB  |
| 11000 to 11111   | -12dB |

Table 18 Gain Register Table



### ANALOGUE OUTPUTS

The WM8974 has a single MONO output and two outputs SPKOUTP and SPOUTN for driving a mono BTL speaker. These analogue output stages are supplied from SPKRVDD and are capable of driving up to 1.5V rms signals (equivalent to 3V rms into a bridge tied speaker) as shown in Figure 15.

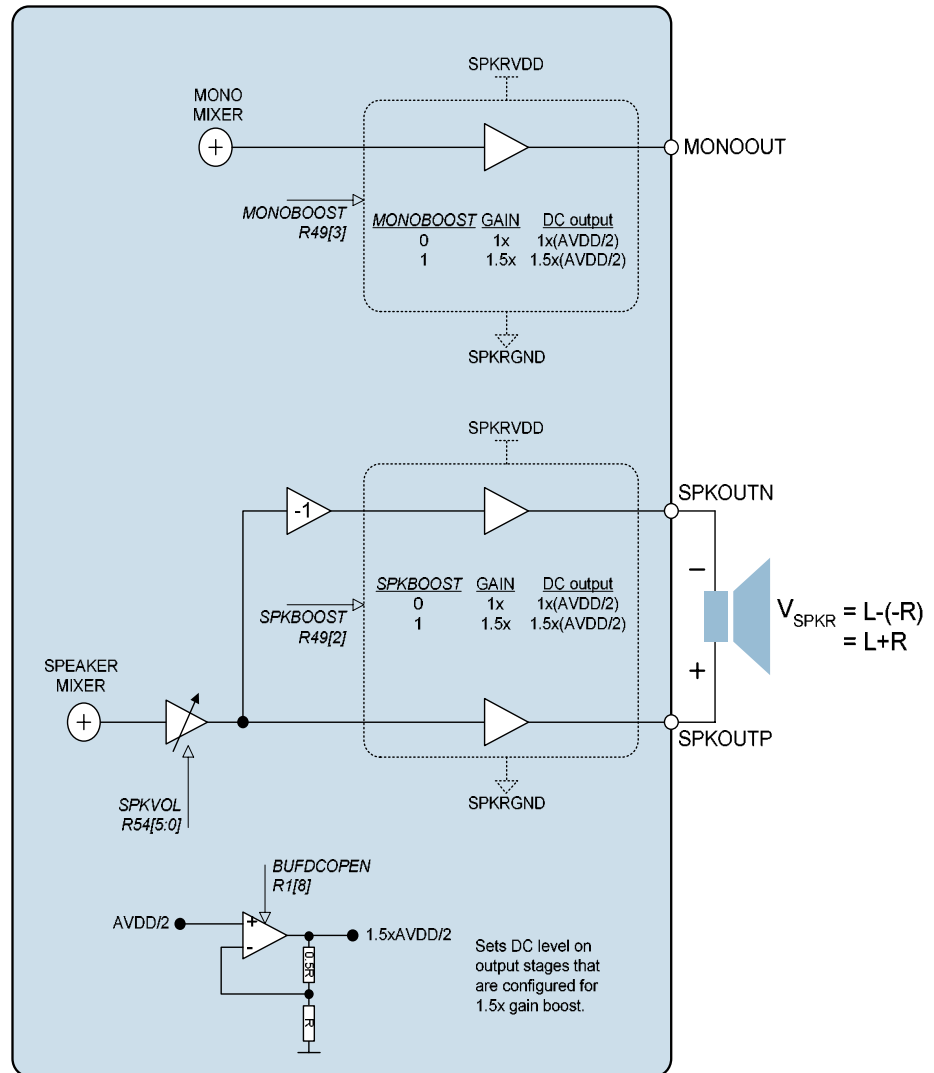


Figure 15 Speaker and Mono Analogue Outputs

The Mono and speaker outputs have output driving stages which can be controlled by the register bits MONOBOOST and SPKBOOST respectively. Each output stage has a selectable gain boost of 1.5x. When this boost is enabled the output DC level is also level shifted (from AVDD/2 to 1.5xAVDD/2) to prevent the signal from clipping. A dedicated amplifier, as shown in Figure 15, is used to perform the DC level shift operation. This buffer must be enabled using the BUFDCOPEN register bit for this operating mode. It should also be noted that if SPKRVDD is not equal to or greater than 1.5xAVDD this boost mode may result in signals clipping. Table 20 summarises the effect of the SPKRBOOST/MONOBOOST control bits.

| REGISTER ADDRESS         | BIT | LABEL     | DEFAULT | DESCRIPTION                                                                                                                                                         |
|--------------------------|-----|-----------|---------|---------------------------------------------------------------------------------------------------------------------------------------------------------------------|
| R49<br>Output control    | 2   | SPKBOOST  | 0       | Speaker output boost stage control (see Table 20 for details)<br>0=No boost (outputs are inverting buffers)<br>1 = 1.5x gain boost                                  |
|                          | 3   | MONOBOOST | 0       | Mono output boost stage control (see Table 20 for details)<br>0=No boost (output is inverting buffer)<br>1=1.5x gain boost                                          |
| R1<br>Power management 1 | 8   | BUFDOPEN  | 0       | Dedicated buffer for DC level shifting output stages when in 1.5x gain boost configuration.<br>0=Buffer disabled<br>1=Buffer enabled (required for 1.5x gain boost) |

Table 19 Output Boost Control

| SPKBOOST/<br>MONOBOOST | OUTPUT<br>STAGE GAIN | OUTPUT DC<br>LEVEL | OUTPUT STAGE<br>CONFIGURATION |
|------------------------|----------------------|--------------------|-------------------------------|
| 0                      | 1x                   | AVDD/2             | Inverting                     |
| 1                      | 1.5x                 | 1.5xAVDD/2         | Non-inverting                 |

Table 20 Output Boost Stage Details

### SPKROUT/SPKROUTN OUTPUTS

The SPKROUT pins can drive a single bridge tied 8Ω speaker or two headphone loads of 16Ω or 32Ω or a line output (see Headphone Output and Line Output sections, respectively). The signal to be output on SKPKOUT comes from the Speaker Mixer circuit and can be any combination of the DAC output, the Bypass path (output of the boost stage) and the AUX input. The SPKROUTP/N volume is controlled by the SPKRVOL register bits. Note that gains over 0dB may cause clipping if the signal is large. The SPKMUTE register bit causes the speaker outputs to be muted (the output DC level is driven out). The output pins remains at the same DC level (VMIDOP), so that no click noise is produced when muting or un-muting.

The SPKROUTN pin always drives out an inverted version of the SPKROUTP signal.

| REGISTER ADDRESS             | BIT | LABEL   | DEFAULT | DESCRIPTION                                                                                          |
|------------------------------|-----|---------|---------|------------------------------------------------------------------------------------------------------|
| R50<br>Speaker mixer control | 0   | DAC2SPK | 1       | Output of DAC to speaker mixer input<br>0 = not selected<br>1 = selected                             |
|                              | 1   | BYP2SPK | 0       | Bypass path (output of input boost stage) to speaker mixer input<br>0 = not selected<br>1 = selected |
|                              | 5   | AUX2SPK | 0       | Output of auxiliary amplifier to speaker mixer input<br>0 = not selected<br>1 = selected             |

Table 21 Speaker Mixer Control

| REGISTER ADDRESS                 | BIT | LABEL            | DEFAULT         | DESCRIPTION                                                                                                        |
|----------------------------------|-----|------------------|-----------------|--------------------------------------------------------------------------------------------------------------------|
| R54<br>Speaker<br>volume control | 7   | SPKZC            | 0               | Speaker Volume control zero cross enable:<br>1 = Change gain on zero cross only<br>0 = Change gain immediately     |
|                                  | 6   | SPKMUTE          | 0               | Speaker output mute enable<br>0=Speaker output enabled<br>1=Speaker output muted (VMIDOP)                          |
|                                  | 5:0 | SPKRVOL<br>[5:0] | 111001<br>(0dB) | Speaker Volume Adjust<br>111111 = +6dB<br>111110 = +5dB<br>... (1.0 dB steps)<br>111001=0dB<br>...<br>000000=-57dB |

Table 22 SPKROUT Volume Control

### ZERO CROSS TIMEOUT

A zero-cross timeout function is also provided so that if zero cross is enabled on the input or output PGAs the gain will automatically update after a timeout period if a zero cross has not occurred. This is enabled by setting SLOWCLKEN. The timeout period is dependent on the clock input to the digital and is equal to  $2^{21}$  \* input clock period.

| REGISTER ADDRESS            | BIT | LABEL     | DEFAULT | DESCRIPTION                                                                                                                                               |
|-----------------------------|-----|-----------|---------|-----------------------------------------------------------------------------------------------------------------------------------------------------------|
| R7<br>Additional<br>control | 0   | SLOWCLKEN | 0       | Slow clock enable. Used for both the jack insert detect debounce circuit and the zero cross timeout.<br>0 = slow clock disabled<br>1 = slow clock enabled |

Table 23 Timeout Clock Enable Control

### MONO MIXER AND OUTPUT

The MONOOUT pin can drive a 16Ω or 32Ω headphone or a line output or be used as a DC reference for a headphone output (see Headphone Output section). It can be selected to drive out any combination of DAC, Bypass (output of input BOOST stage) and AUX. This output is enabled by setting bit MONOEN.

| REGISTER ADDRESS          | BIT | LABEL    | DEFAULT | DESCRIPTION                                                                                                                        |
|---------------------------|-----|----------|---------|------------------------------------------------------------------------------------------------------------------------------------|
| R56<br>Mono mixer control | 0   | DAC2MONO | 0       | Output of DAC to mono mixer input<br>0 = not selected<br>1 = selected                                                              |
|                           | 1   | BYP2MONO | 0       | Bypass path (output of input boost stage) to mono mixer input<br>0 = non selected<br>1 = selected                                  |
|                           | 2   | AUX2MONO | 0       | Output of Auxillary amplifier to mono mixer input:<br>0 = not selected<br>1 = selected                                             |
|                           | 6   | MONOMUTE | 0       | 0=No mute<br>1=Output muted. During mute the mono output will output VMID which can be used as a DC reference for a headphone out. |

Table 24 Mono Mixer Control

### ENABLING THE OUTPUTS

Each analogue output of the WM8974 can be separately enabled or disabled. The analogue mixer associated with each output has a separate enable. All outputs are disabled by default. To save power, unused parts of the WM8974 should remain disabled.

Outputs can be enabled at any time, but it is not recommended to do so when BUFIO is disabled (BUFIOEN=0), as this may cause pop noise (see "Power Management" and "Applications Information" sections).

| REGISTER ADDRESS                                   | BIT | LABEL     | DEFAULT | DESCRIPTION                               |
|----------------------------------------------------|-----|-----------|---------|-------------------------------------------|
| R1<br>Power management 1                           | 2   | BUFIOEN   | 0       | Unused input/output tie off buffer enable |
|                                                    | 8   | BUFDOPEN  | 0       | Output stage 1.5xAVDD/2 driver enable     |
| R3<br>Power management 3                           | 2   | SPKMIXEN  | 0       | Speaker Mixer enable                      |
|                                                    | 3   | MONOMIXEN | 0       | Mono mixer enable                         |
|                                                    | 5   | SPKPEN    | 0       | SPKROUTP enable                           |
|                                                    | 6   | SPKNEN    | 0       | SPKROUTN enable                           |
|                                                    | 7   | MONOEN    | 0       | MONOOUT enable                            |
| <b>Note:</b> All "Enable" bits are 1 = ON, 0 = OFF |     |           |         |                                           |

Table 25 Output Stages Power Management Control

### UNUSED ANALOGUE INPUTS/OUTPUTS

Whenever an analogue input/output is disabled, it remains connected to a voltage source (either AVDD/2 or 1.5xAVDD/2 as appropriate) through a resistor. This helps to prevent pop noise when the output is re-enabled. The resistance between the voltage buffer and the output pins can be controlled using the VROI control bit. The default impedance is low, so that any capacitors on the outputs can charge up quickly at start-up. If a high impedance is desired for disabled outputs, VROI can then be set to 1, increasing the resistance to about 30kΩ.

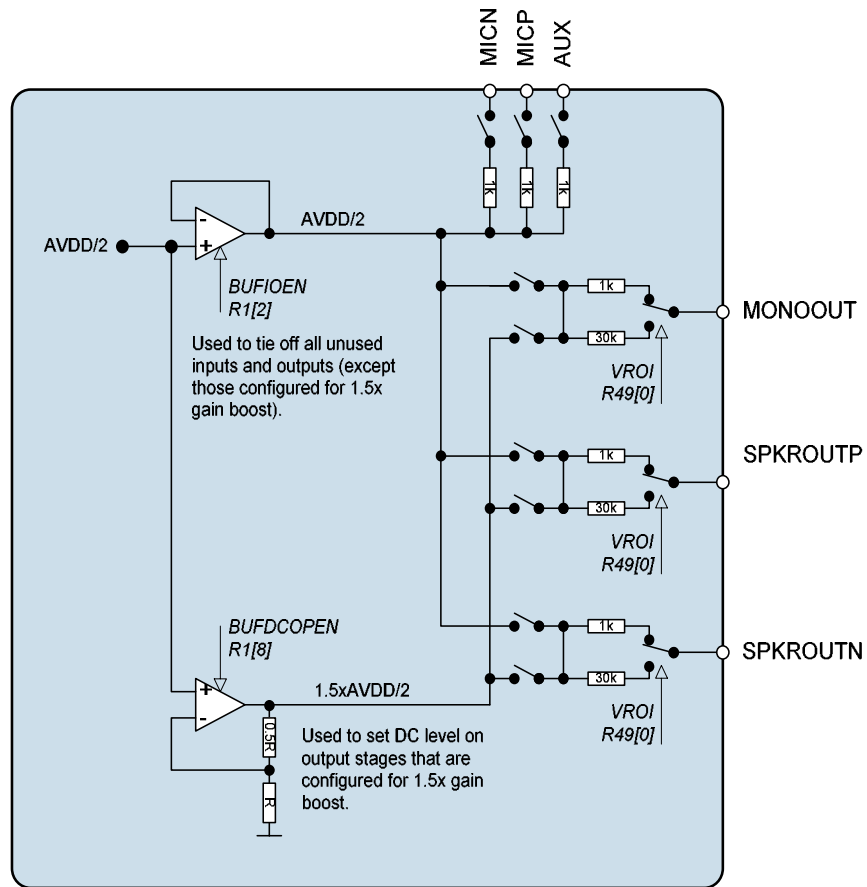
| REGISTER ADDRESS | BIT | LABEL | DEFAULT | DESCRIPTION                                                                                   |
|------------------|-----|-------|---------|-----------------------------------------------------------------------------------------------|
| R49              | 0   | VROI  | 0       | VREF (AVDD/2 or 1.5xAVDD/2) to analogue output resistance<br>0: approx 1kΩ<br>1: approx 30 kΩ |

**Table 26 Disabled Outputs to VREF Resistance**

A dedicated buffer is available for tying off unused analogue I/O pins as shown in Figure 16. This buffer can be enabled using the BUFIOEN register bit.

If the SPKBOOST or MONOBOOST bits are set then the relevant outputs will be tied to the output of the DC level shift buffer at 1.5xAVDD/2 when disabled.

Table 27 summarises the tie-off options for the speaker and mono output pins.



**Figure 16 Unused Input/Output Pin Tie-off Buffers**

| MONOEN/<br>SPKN/PEN | MONOBOOST/<br>SPKRBOOST | VROI | OUTPUT CONFIGURATION                 |
|---------------------|-------------------------|------|--------------------------------------|
| 0                   | 0                       | 0    | 1kΩ tieoff to AVDD/2                 |
| 0                   | 0                       | 1    | 30kΩ tieoff to AVDD/2                |
| 0                   | 1                       | 0    | 1kΩ tieoff to 1.5xAVDD/2             |
| 0                   | 1                       | 1    | 30kΩ tieoff to 1.5xAVDD/2            |
| 1                   | 0                       | X    | Output enabled (DC level=AVDD/2)     |
| 1                   | 1                       | X    | Output enabled (DC level=1.5xAVDD/2) |

**Table 27 Unused Output Pin Tie-off Options**

## OUTPUT SWITCH

When the device is configured with a 2-wire interface the CSB/GPIO pin can be used as a switch control input to automatically disable the speaker outputs and enable the mono output. For example when a line is plugged into a jack socket. In this mode, enabled by setting GPIOSEL=001, pin CSB/GPIO switches between mono and speaker outputs (e.g. when pin 12 is connected to a mechanical switch in the headphone socket to detect plug-in). The GPIOPOL bit reverses the polarity of the CSB/GPIO input pin.

Note that the speaker outputs and the mono output must be enabled for this function to work (see Table 28). The CSB/GPIO pin has an internal de-bounce circuit when in this mode in order to prevent the output enables from toggling multiple times due to input glitches. This debounce circuit is clocked from a slow clock with period  $2^{21} \times \text{MCLK}$ , enabled using the SLOWCLKEN register bit.

| GPIOPOL | CSB/GPIO | SPKNEN/<br>SPKPEN | MONOEN | SPEAKER<br>ENABLED | MONO<br>OUTPUT<br>ENABLED |
|---------|----------|-------------------|--------|--------------------|---------------------------|
| 0       | 0        | X                 | 0      | No                 | No                        |
| 0       | 0        | X                 | 1      | No                 | Yes                       |
| 0       | 1        | 0                 | X      | No                 | No                        |
| 0       | 1        | 1                 | X      | Yes                | No                        |
| 1       | 0        | X                 | 0      | No                 | No                        |
| 1       | 0        | X                 | 1      | No                 | Yes                       |
| 1       | 1        | 0                 | X      | No                 | No                        |
| 1       | 1        | 1                 | X      | Yes                | No                        |

Table 28 Output Switch Operation (GPIOSEL=001)

## THERMAL SHUTDOWN

The speaker outputs can drive very large currents. To protect the WM8974 from overheating a thermal shutdown circuit is included. If the device temperature reaches approximately 125°C and the thermal shutdown circuit is enabled (TSDEN=1) then the speaker amplifiers will be disabled if TSDEN is set. The thermal shutdown may also be configured to generate an interrupt. See the GPIO and Interrupt Controller section for details.

| REGISTER ADDRESS      | BIT | LABEL | DEFAULT | DESCRIPTION                                                                              |
|-----------------------|-----|-------|---------|------------------------------------------------------------------------------------------|
| R49<br>Output control | 1   | TSDEN | 1       | Thermal Shutdown Enable<br>0 : thermal shutdown disabled<br>1 : thermal shutdown enabled |

Table 29 Thermal Shutdown

## SPEAKER OUTPUT

SPKROUTP/N can differentially drive a mono 8Ω Bridge Tied Load (BTL) speaker as shown below.

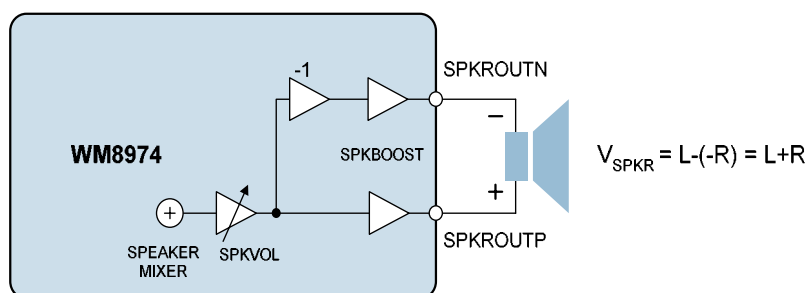
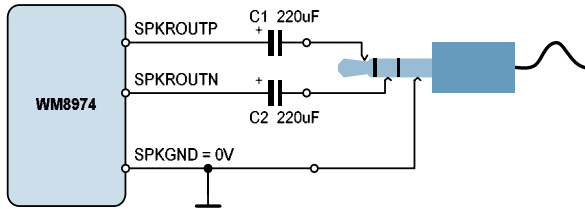


Figure 17 Speaker Output Connection

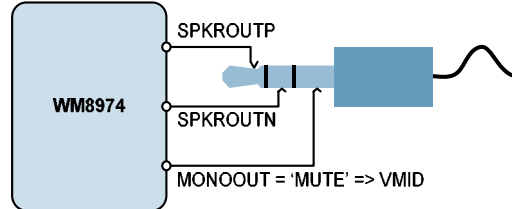
**HEADPHONE OUTPUT**

The speaker outputs can drive a 16Ω or 32Ω headphone load, either through DC blocking capacitors, or DC coupled without any capacitor.

**Headphone Output using DC Blocking Capacitors:**



**DC Coupled Headphone Output:**



**Figure 18 Recommended Headphone Output Configurations**

When DC blocking capacitors are used, then their capacitance and the load resistance together determine the lower cut-off frequency,  $f_c$ . Increasing the capacitance lowers  $f_c$ , improving the bass response. Smaller capacitance values will diminish the bass response. Assuming a 16Ω load and  $C_1, C_2 = 220\mu\text{F}$ :

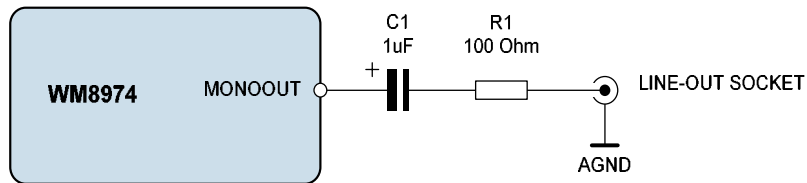
$$f_c = 1 / 2\pi R_L C_1 = 1 / (2\pi \times 16\Omega \times 220\mu\text{F}) = 45 \text{ Hz}$$

In the DC coupled configuration, the headphone “ground” is connected to the MONOOUT pin. The MONOOUT pin can be configured as a DC output driver by setting the MONOMUTE register bit. The DC voltage on MONOOUT in this configuration is equal to the DC offset on the SPKROUTP and SPKROUTN pins therefore no DC blocking capacitors are required. This saves space and material cost in portable applications.

It is recommended to connect the DC coupled outputs only to headphones, and not to the line input of another device. Although the built-in short circuit protection will prevent any damage to the headphone outputs, such a connection may be noisy, and may not function properly if the other device is grounded.

**MONO OUTPUT**

The mono output, can be used as a line output, a headphone output or as a pseudo ground for cap-less driving of loads by SPKROUT. Recommended external components are shown below.



**Figure 19 Recommended Circuit for Line Output**

The DC blocking capacitors and the load resistance together determine the lower cut-off frequency,  $f_c$ . Assuming a 10 kΩ load and  $C_1 = 1\mu\text{F}$ :

$$f_c = 1 / 2\pi (R_L + R_1) C_1 = 1 / (2\pi \times 10.1\text{k}\Omega \times 1\mu\text{F}) = 16 \text{ Hz}$$

Increasing the capacitance lowers  $f_c$ , improving the bass response. Smaller values of  $C_1$  will diminish the bass response. The function of  $R_1$  is to protect the line outputs from damage when used improperly.

**DIGITAL AUDIO INTERFACES**

The audio interface has four pins:

- ADCDAT: ADC data output
- DACDAT: DAC data input
- FRAME: Data alignment clock
- BCLK: Bit clock, for synchronisation

The clock signals BCLK, and FRAME can be outputs when the WM8974 operates as a master, or inputs when it is a slave (see Master and Slave Mode Operation, below).

Five different audio data formats are supported:

- Left justified
- Right justified
- I<sup>2</sup>S
- DSP mode early
- DSP mode late

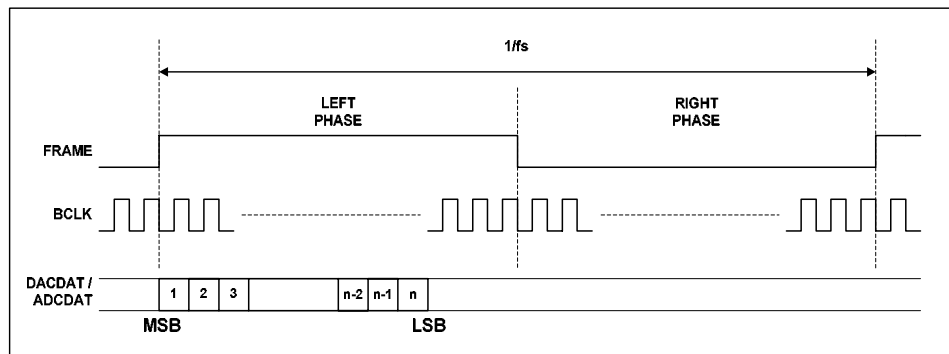
All of these modes are MSB first. They are described in Audio Data Formats, below. Refer to the Electrical Characteristic section for timing information.

**MASTER AND SLAVE MODE OPERATION**

The WM8974 audio interface may be configured as either master or slave. As a master interface device the WM8974 generates BCLK and FRAME and thus controls sequencing of the data transfer on ADCDAT and DACDAT. To set the device to master mode register bit MS should be set high. In slave mode (MS=0), the WM8974 responds with data to clocks it receives over the digital audio interfaces.

**AUDIO DATA FORMATS**

In Left Justified mode, the MSB is available on the first rising edge of BCLK following an FRAME transition. The other bits up to the LSB are then transmitted in order. Depending on word length, BCLK frequency and sample rate, there may be unused BCLK cycles before each FRAME transition.



**Figure 20 Left Justified Audio Interface (assuming n-bit word length)**

In Right Justified mode, the LSB is available on the last rising edge of BCLK before a FRAME transition. All other bits are transmitted before (MSB first). Depending on word length, BCLK frequency and sample rate, there may be unused BCLK cycles after each FRAME transition.



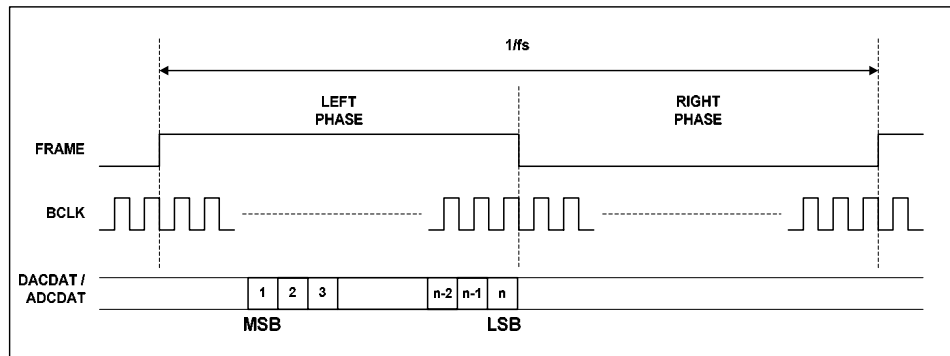


Figure 21 Right Justified Audio Interface (assuming n-bit word length)

In I<sup>2</sup>S mode, the MSB is available on the second rising edge of BCLK following a FRAME transition. The other bits up to the LSB are then transmitted in order. Depending on word length, BCLK frequency and sample rate, there may be unused BCLK cycles between the LSB of one sample and the MSB of the next.

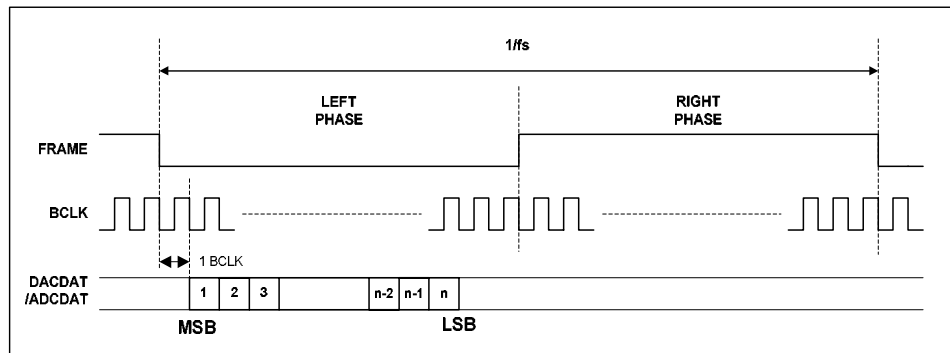


Figure 22 I<sup>2</sup>S Audio Interface (assuming n-bit word length)

In DSP/PCM mode, the left channel MSB is available on either the 1<sup>st</sup> (mode B) or 2<sup>nd</sup> (mode A) rising edge of BCLK (selectable by FRAMEP) following a rising edge of FRAME. Depending on word length, BCLK frequency and sample rate, there may be unused BCLK cycles between the LSB of the right channel data and the next sample.

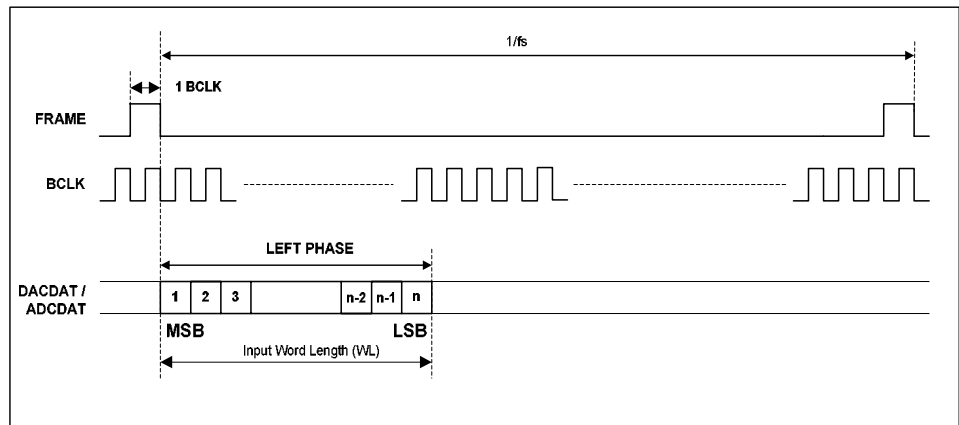


Figure 23 DSP/PCM Mode Audio Interface (mode A, FRAMEP=0)

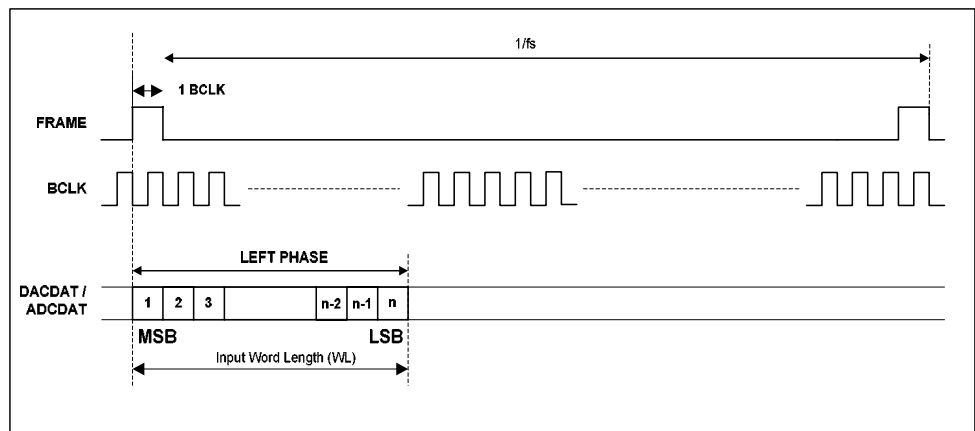


Figure 24 DSP/PCM Mode Audio Interface (mode B, FRAMEP=1)

When using ADCLRSWAP = 1 or DACLRSWAP = 1 in DSP/PCM mode, the data will appear in the Right Phase of the FRAME, which will be 16/20/24/32 bits after the FRAME pulse.

| REGISTER ADDRESS              | BIT | LABEL     | DEFAULT | DESCRIPTION                                                                                                                                                                                                                                        |
|-------------------------------|-----|-----------|---------|----------------------------------------------------------------------------------------------------------------------------------------------------------------------------------------------------------------------------------------------------|
| R4<br>Audio interface control | 1   | ADCLRSWAP | 0       | Controls whether ADC data appears in 'right' or 'left' phases of FRAME clock:<br>0=ADC data appear in 'left' phase of FRAME<br>1=ADC data appears in 'right' phase of FRAME                                                                        |
|                               | 2   | DACLRSWAP | 0       | Controls whether DAC data appears in 'right' or 'left' phases of FRAME clock:<br>0=DAC data appear in 'left' phase of FRAME<br>1=DAC data appears in 'right' phase of FRAME                                                                        |
|                               | 4:3 | FMT       | 10      | Audio interface Data Format Select:<br>00=Right Justified<br>01=Left Justified<br>10=I <sup>2</sup> S format<br>11= DSP/PCM mode                                                                                                                   |
|                               | 6:5 | WL        | 10      | Word length<br>00=16 bits<br>01=20 bits<br>10=24 bits<br>11=32 bits (see note)                                                                                                                                                                     |
|                               | 7   | FRAMEP    | 0       | Frame clock polarity<br>0=normal<br>1=inverted<br><br>DSP Mode – mode A/B select<br>1 = MSB is available on 1st BCLK rising edge after FRAME rising edge (mode B)<br>0 = MSB is available on 2nd BCLK rising edge after FRAME rising edge (mode A) |
|                               | 8   | BCP       | 0       | BCLK polarity<br>0=normal<br>1=inverted                                                                                                                                                                                                            |

Table 30 Audio Interface Control

**Audio Interface Control**

The register bits controlling audio format, word length and master / slave mode are summarised below. Each audio interface can be controlled individually.

Register bit MS selects audio interface operation in master or slave mode. In Master mode BCLK, and FRAME are outputs. The frequency of BCLK and FRAME in master mode are controlled with BCLKDIV. These are divided down versions of master clock. This may result in short BCLK pulses at the end of a frame if there is a non-integer ratio of BCLKs to FRAME clocks.

| REGISTER ADDRESS               | BIT | LABEL   | DEFAULT | DESCRIPTION                                                                                                                                                                                                                                                              |
|--------------------------------|-----|---------|---------|--------------------------------------------------------------------------------------------------------------------------------------------------------------------------------------------------------------------------------------------------------------------------|
| R6<br>Clock generation control | 0   | MS      | 0       | Sets the chip to be master over FRAME and BCLK<br>0=BCLK and FRAME clock are inputs<br>1=BCLK and FRAME clock are outputs generated by the WM8974 (MASTER)                                                                                                               |
|                                | 4:2 | BCLKDIV | 000     | Configures the BCLK and FRAME output frequency, for use when the chip is master over BCLK.<br>000=divide by 1 (BCLK=MCLK)<br>001=divide by 2 (BCLK=MCLK/2)<br>010=divide by 4<br>011=divide by 8<br>100=divide by 16<br>101=divide by 32<br>110=reserved<br>111=reserved |
|                                | 7:5 | MCLKDIV | 010     | Sets the scaling for either the MCLK or PLL clock output (under control of CLKSEL)<br>000=divide by 1<br>001=divide by 1.5<br>010=divide by 2<br>011=divide by 3<br>100=divide by 4<br>101=divide by 6<br>110=divide by 8<br>111=divide by 12                            |
|                                | 8   | CLKSEL  | 1       | Controls the source of the clock for all internal operation:<br>0=MCLK<br>1=PLL output                                                                                                                                                                                   |

Table 31 Clock Control

**LOOPBACK**

Setting the LOOPBACK register bit enables digital loopback. When this bit is set the output data from the ADC audio interface is fed directly into the DAC data input.

**COMPANDING**

The WM8974 supports A-law and  $\mu$ -law companding on both transmit (ADC) and receive (DAC) sides. Companding can be enabled on the DAC or ADC audio interfaces by writing the appropriate value to the DAC\_COMP or ADC\_COMP register bits respectively.

| REGISTER ADDRESS         | BIT | LABEL    | DEFAULT | DESCRIPTION                                                                                                            |
|--------------------------|-----|----------|---------|------------------------------------------------------------------------------------------------------------------------|
| R5<br>Companding control | 0   | LOOPBACK | 0       | Digital loopback function<br>0=No loopback<br>1=Loopback enabled, ADC data output is ded directly into DAC data input. |
|                          | 2:1 | ADC_COMP | 0       | ADC companding<br>00=off<br>01=reserved<br>10= $\mu$ -law<br>11=A-law                                                  |
|                          | 4:3 | DAC_COMP | 0       | DAC companding<br>00=off<br>01=reserved<br>10= $\mu$ -law<br>11=A-law                                                  |

**Table 32 Companding Control**

Companding involves using a piecewise linear approximation of the following equations (as set out by ITU-T G.711 standard) for data compression:

$\mu$ -law (where  $\mu=255$  for the U.S. and Japan):

$$F(x) = \ln(1 + \mu|x|) / \ln(1 + \mu) \quad -1 \leq x \leq 1$$

A-law (where  $A=87.6$  for Europe):

$$F(x) = A|x| / (1 + \ln A) \quad \text{for } x \leq 1/A$$

$$F(x) = (1 + \ln A|x|) / (1 + \ln A) \quad \text{for } 1/A \leq x \leq 1$$

The companded data is also inverted as recommended by the G.711 standard (all 8 bits are inverted for  $\mu$ -law, all even data bits are inverted for A-law). The data will be transmitted as the first 8 MSB's of data.

Companding converts 13 bits ( $\mu$ -law) or 12 bits (A-law) to 8 bits using non-linear quantization. The input data range is separated into 8 levels, allowing low amplitude signals better precision than that of high amplitude signals. This is to exploit the operation of the human auditory system, where louder sounds do not require as much resolution as quieter sounds. The companded signal is an 8-bit word containing sign (1-bit), exponent (3-bits) and mantissa (4-bits).

| BIT8 | BIT[7:4] | BIT[3:0] |
|------|----------|----------|
| SIGN | EXPONENT | MANTISSA |

**Table 33 8-bit Companded Word Composition**

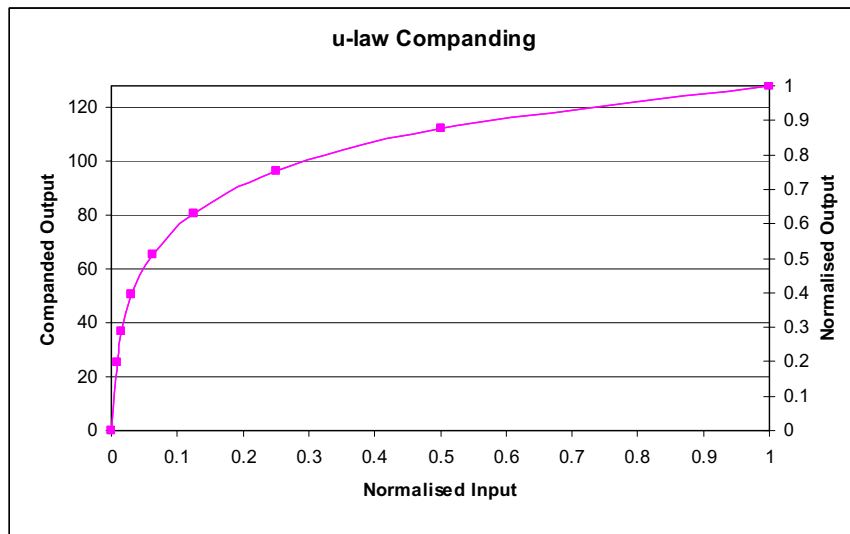


Table 34 u-Law Comanding

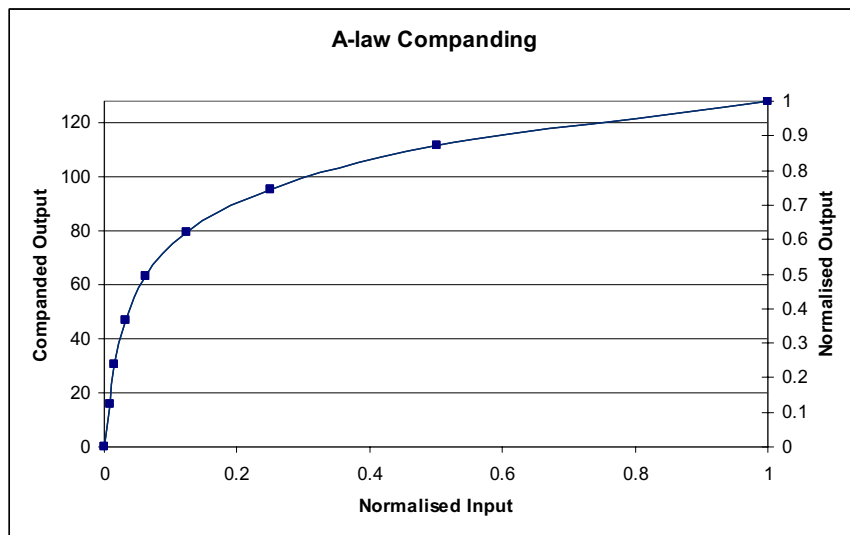


Table 35 A-Law Comanding

### AUDIO SAMPLE RATES

The WM8974 sample rates for the ADC and the DAC are set using the SR register bits. The cutoffs for the digital filters and the ALC attack/decay times stated are determined using these values and assume a 256fs master clock rate.

If a sample rate that is not explicitly supported by the SR register settings is required then the closest SR value to that sample rate should be chosen, the filter characteristics and the ALC attack, decay and hold times will scale appropriately.

| REGISTER ADDRESS         | BIT | LABEL | DEFAULT | DESCRIPTION                                                                                                                                                                              |
|--------------------------|-----|-------|---------|------------------------------------------------------------------------------------------------------------------------------------------------------------------------------------------|
| R7<br>Additional control | 3:1 | SR    | 000     | Approximate sample rate (configures the coefficients for the internal digital filters):<br>000=48kHz<br>001=32kHz<br>010=24kHz<br>011=16kHz<br>100=12kHz<br>101=8kHz<br>110-111=reserved |

Table 36 Sample Rate Control

### MASTER CLOCK AND PHASE LOCKED LOOP (PLL)

The WM8974 has an on-chip phase-locked loop (PLL) circuit that can be used to:

Generate master clocks for the WM8974 audio functions from another external clock, e.g. in telecoms applications.

Generate and output (on pin CSB/GPIO) a clock for another part of the system that is derived from an existing audio master clock.

Figure 25 shows the PLL and internal clocking arrangement on the WM8974.

The PLL can be enabled or disabled by the PLEN register bit.

| REGISTER ADDRESS         | BIT | LABEL | DEFAULT | DESCRIPTION                         |
|--------------------------|-----|-------|---------|-------------------------------------|
| R1<br>Power management 1 | 5   | PLEN  | 0       | PLL enable<br>0=PLL off<br>1=PLL on |

Table 37 PLEN Control Bit

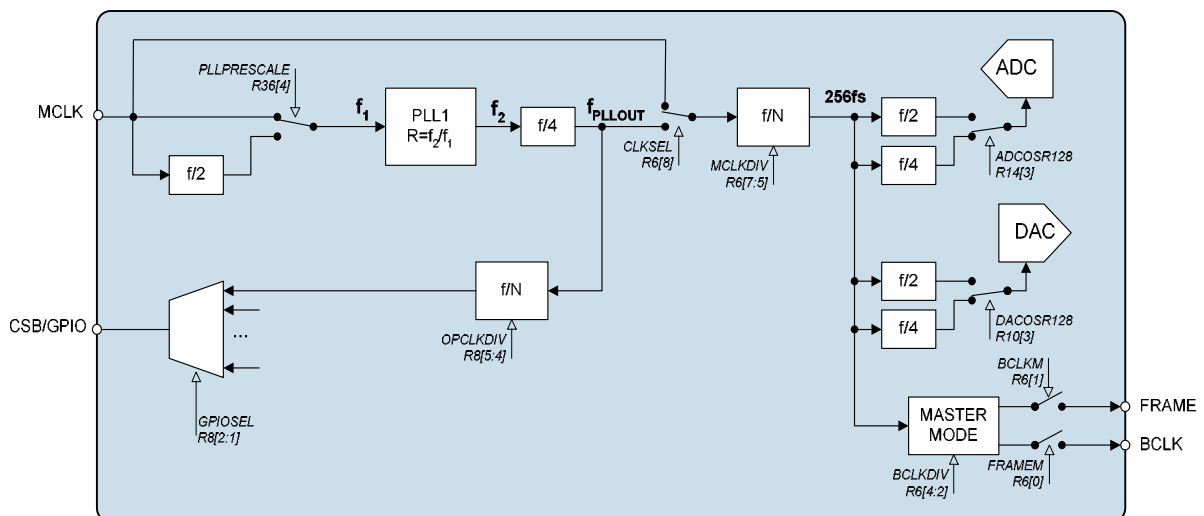


Figure 25 PLL and Clock Select Circuit

The PLL frequency ratio  $R = f_2/f_1$  (see Figure 25) can be set using the register bits PLLK and PLLN:

$$\text{PLLN} = \text{int } R$$

$$\text{PLLK} = \text{int} (2^{24} (R - \text{PLLN}))$$

**EXAMPLE:**

MCLK=12MHz, required clock = 12.288MHz.

R should be chosen to ensure  $5 < \text{PLLN} < 13$ . There is a fixed divide by 4 in the PLL and a selectable divide by N after the PLL which should be set to divide by 2 to meet this requirement.

Enabling the divide by 2 sets the required  $f_2 = 4 \times 2 \times 12.288\text{MHz} = 98.304\text{MHz}$ .

$$R = 98.304 / 12 = 8.192$$

$$\text{PLLN} = \text{int } R = 8$$

$$k = \text{int} ( 2^{24} \times (8.192 - 8) ) = 3221225 = 3126\text{E9h}$$

| REGISTER ADDRESS     | BIT | LABEL        | DEFAULT | DESCRIPTION                                                                                       |
|----------------------|-----|--------------|---------|---------------------------------------------------------------------------------------------------|
| R36<br>PLL N value   | 4   | PLLPRESCALE  | 0       | Divide MCLK by 2 before input to PLL                                                              |
|                      | 3:0 | PLLN         | 1000    | Integer (N) part of PLL input/output frequency ratio. Use values greater than 5 and less than 13. |
| R37<br>PLL K value 1 | 5:0 | PLLK [23:18] | 0Ch     | Fractional (K) part of PLL1 input/output frequency ratio (treat as one 24-digit binary number).   |
| R38<br>PLL K Value 2 | 8:0 | PLLK [17:9]  | 093h    |                                                                                                   |
| R44<br>PLL K Value 3 | 8:0 | PLLK [8:0]   | 0E9h    |                                                                                                   |

**Table 38 PLL Frequency Ratio Control**

The PLL performs best when  $f_2$  is around 90MHz. Its stability peaks at N=8. Some example settings are shown in Table 39.

| MCLK (MHz) (F1) | DESIRED OUTPUT (MHz) | F2 (MHz) | PRESCALE DIVIDE | POSTSCALE DIVIDE | R        | N (Hex) | K (Hex) |
|-----------------|----------------------|----------|-----------------|------------------|----------|---------|---------|
| 12              | 11.29                | 90.3168  | 1               | 2                | 7.5264   | 7       | 86C227  |
| 12              | 12.288               | 98.304   | 1               | 2                | 8.192    | 8       | 3126E9  |
| 13              | 11.29                | 90.3168  | 1               | 2                | 6.947446 | 6       | F28BD5  |
| 13              | 12.288               | 98.304   | 1               | 2                | 7.561846 | 7       | 8FD526  |
| 14.4            | 11.29                | 90.3168  | 1               | 2                | 6.272    | 6       | 45A1CB  |
| 14.4            | 12.288               | 98.304   | 1               | 2                | 6.826667 | 6       | D3A06D  |
| 19.2            | 11.29                | 90.3168  | 2               | 2                | 2.352    | 2       | 5A1CAC  |
| 19.2            | 12.288               | 98.304   | 2               | 2                | 2.56     | 2       | 8F5C29  |
| 19.68           | 11.29                | 90.3168  | 2               | 2                | 2.294634 | 2       | 4B6D22  |
| 19.68           | 12.288               | 98.304   | 2               | 2                | 2.497561 | 2       | 7F6025  |
| 19.8            | 11.29                | 90.3168  | 2               | 2                | 2.280727 | 2       | 47DDBD  |
| 19.8            | 12.288               | 98.304   | 2               | 2                | 2.482424 | 2       | 7B802A  |
| 24              | 11.29                | 90.3168  | 2               | 2                | 1.8816   | 1       | E1B08A  |
| 24              | 12.288               | 98.304   | 2               | 2                | 2.048    | 2       | C49BA   |
| 26              | 11.29                | 90.3168  | 2               | 2                | 1.736862 | 1       | BCA2F6  |
| 26              | 12.288               | 98.304   | 2               | 2                | 1.890462 | 1       | E3F54B  |
| 27              | 11.29                | 90.3168  | 2               | 2                | 1.672533 | 1       | AC2B23  |
| 27              | 12.288               | 98.304   | 2               | 2                | 1.820444 | 1       | D208A5  |
| 19.8            | 11.29                | 90.3168  | 2               | 2                | 2.280727 | 2       | 47DDBD  |
| 19.8            | 12.288               | 98.304   | 2               | 2                | 2.482424 | 2       | 7B802A  |

**Table 39 PLL Frequency Examples**



## GENERAL PURPOSE INPUT/OUTPUT

The CSB/GPIO pin can be configured to perform a variety of useful tasks by setting the GPIOSEL register bits. The GPIO is only available in 2 wire mode.

| REGISTER ADDRESS      | BIT | LABEL    | DEFAULT | DESCRIPTION                                                                                                                                                                     |
|-----------------------|-----|----------|---------|---------------------------------------------------------------------------------------------------------------------------------------------------------------------------------|
| R8<br>GPIO<br>control | 2:0 | GPIOSEL  | 000     | CSB/GPIO pin function select:<br>000=CSB input<br>001= Jack insert detect<br>010=Temp ok<br>011=Amute active<br>100=PLL clk o/p<br>101=PLL lock<br>110=Reserved<br>111=Reserved |
|                       | 3   | GPIOPOL  | 0       | GPIO Polarity invert<br>0=Non inverted<br>1=Inverted                                                                                                                            |
|                       | 5:4 | OPCLKDIV | 00      | PLL Output clock division ratio<br>00=divide by 1<br>01=divide by 2<br>10=divide by 3<br>11=divide by 4                                                                         |

Table 40 CSB/GPIO Control

## CONTROL INTERFACE

### SELECTION OF CONTROL MODE AND 2-WIRE MODE ADDRESS

The control interface can operate as either a 3-wire or 2-wire MPU interface. The MODE pin determines the 2 or 3 wire mode as shown in Table 41.

The WM8974 is controlled by writing to registers through a serial control interface. A control word consists of 16 bits. The first 7 bits (B15 to B9) are address bits that select which control register is accessed. The remaining 9 bits (B8 to B0) are register bits, corresponding to the 9 bits in each control register.

| MODE | INTERFACE FORMAT |
|------|------------------|
| Low  | 2 wire           |
| High | 3 wire           |

Table 41 Control Interface Mode Selection

### 3-WIRE SERIAL CONTROL MODE

In 3-wire mode, every rising edge of SCLK clocks in one data bit from the SDIN pin. A rising edge on CSB/GPIO latches in a complete control word consisting of the last 16 bits.

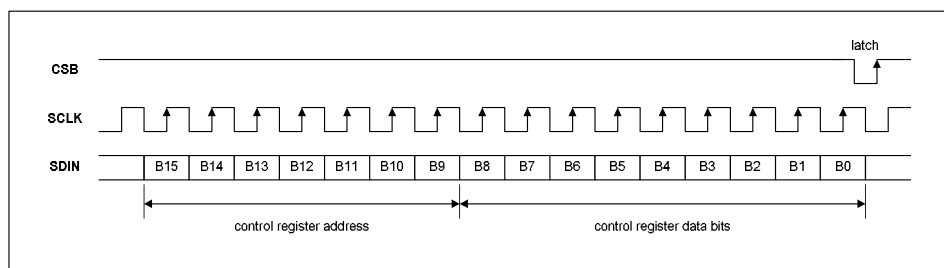


Figure 26 3-Wire Serial Control Interface

## 2-WIRE SERIAL CONTROL MODE

The WM8974 supports software control via a 2-wire serial bus. Many devices can be controlled by the same bus, and each device has a unique 7-bit device address (this is not the same as the 7-bit address of each register in the WM8974).

The WM8974 operates as a slave device only. The controller indicates the start of data transfer with a high to low transition on SDIN while SCLK remains high. This indicates that a device address and data will follow. All devices on the 2-wire bus respond to the start condition and shift in the next eight bits on SDIN (7-bit address + Read/Write bit, MSB first). If the device address received matches the address of the WM8974, then the WM8974 responds by pulling SDIN low on the next clock pulse (ACK). If the address is not recognised or the R/W bit is '1' when operating in write only mode, the WM8974 returns to the idle condition and wait for a new start condition and valid address.

During a write, once the WM8974 has acknowledged a correct address, the controller sends the first byte of control data (B15 to B8, i.e. the WM8974 register address plus the first bit of register data). The WM8974 then acknowledges the first data byte by pulling SDIN low for one clock pulse. The controller then sends the second byte of control data (B7 to B0, i.e. the remaining 8 bits of register data), and the WM8974 acknowledges again by pulling SDIN low.

Transfers are complete when there is a low to high transition on SDIN while SCLK is high. After a complete sequence the WM8974 returns to the idle state and waits for another start condition. If a start or stop condition is detected out of sequence at any point during data transfer (i.e. SDIN changes while SCLK is high), the device jumps to the idle condition.

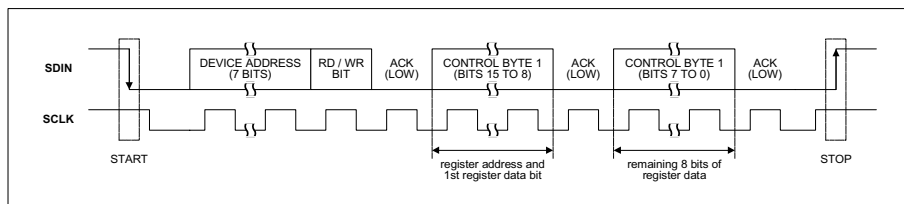


Figure 27 2-Wire Serial Control Interface

In 2-wire mode the WM8974 has a fixed device address, 00111010.

## RESETTING THE CHIP

The WM8974 can be reset by performing a write of any value to the software reset register (address 0 hex). This will cause all register values to be reset to their default values. In addition to this there is a Power-On Reset (POR) circuit which ensures that the registers are set to default when the device is powered up.

## POWER SUPPLIES

The WM8974 can use up to four separate power supplies:

**AVDD and AGND:** Analogue supply, powers all analogue functions except the speaker output and mono output drivers. AVDD can range from 2.5V to 3.6V and has the most significant impact on overall power consumption (except for power consumed in the headphone). A large AVDD slightly improves audio quality.

**SPKRVDD and SPKRGND:** Headphone and Speaker supplies, power the speaker and mono output drivers. SPKRVDD can range from 2.5V to 5.5V. SPKRVDD can be tied to AVDD, but it requires separate layout and decoupling capacitors to curb harmonic distortion. With a larger SPKRVDD, louder headphone and speaker outputs can be achieved with lower distortion. If SPKRVDD is lower than AVDD (or 1.5 x AVDD for BOOST mode), the output signal may be clipped.

**DCVDD:** Digital core supply, powers all digital functions except the audio and control interfaces. DCVDD can range from 1.62V to 3.6V, and has no effect on audio quality. The return path for DCVDD is DGND, which is shared with DBVDD.

**DBVDD** Can range from 1.62V to 3.6V. DBVDD return path is through DGND.

It is possible to use the same supply voltage for all four supplies. However, digital and analogue supplies should be routed and decoupled separately on the PCB to keep digital switching noise out of the analogue signal paths.

**RECOMMENDED POWER UP/DOWN SEQUENCE**

In order to minimise output 'pop' and 'click' noise it is recommended that the device is powered up in a controlled sequence.

In addition to this it is recommended that the zero cross functions are used when changing the volume in the PGAs.

**POWER MANAGEMENT****SAVING POWER BY REDUCING OVERSAMPLING RATE**

The default mode of operation of the ADC and DAC digital filters is in 64x oversampling mode. Under the control of ADCOSR and DACOSR the oversampling rate may be doubled. 64x oversampling results in a slight decrease in noise performance compared to 128x but lowers the power consumption of the device.

| REGISTER ADDRESS   | BIT | LABEL     | DEFAULT | DESCRIPTION                                                                 |
|--------------------|-----|-----------|---------|-----------------------------------------------------------------------------|
| R10<br>DAC control | 3   | DACOSR128 | 0       | DAC oversample rate select<br>0 = 64x (lowest power)<br>1 = 128x (best SNR) |
| R14<br>ADC control | 3   | ADCOSR128 | 0       | ADC oversample rate select<br>0 = 64x (lowest power)<br>1 = 128x (best SNR) |

**Table 42 ADC and DAC Oversampling Rate Selection**

**VMID**

The analogue circuitry will not work unless VMID is enabled (VMIDSEL 00). The impedance of the VMID resistor string, together with the decoupling capacitor on the VMID pin will determine the startup time of the VMID circuit.

| REGISTER ADDRESS         | BIT | LABEL   | DEFAULT | DESCRIPTION                                                                                                                                                                 |
|--------------------------|-----|---------|---------|-----------------------------------------------------------------------------------------------------------------------------------------------------------------------------|
| R1<br>Power management 1 | 1:0 | VMIDSEL | 00      | Reference string impedance to VMID pin (determines startup time):<br>00=off (open circuit)<br>01=75k $\Omega$<br>10=300k $\Omega$<br>11=2.5k $\Omega$ (for fastest startup) |

**Table 43 VMID Impedance Control**

## REGISTER MAP

| ADDR B[15:9] |     | REGISTER NAME     | B8             | B7       | B6             | B5          | B4               | B3            | B2             | B1              | B0              | DEF'T VAL |     |
|--------------|-----|-------------------|----------------|----------|----------------|-------------|------------------|---------------|----------------|-----------------|-----------------|-----------|-----|
| DEC          | HEX |                   |                |          |                |             |                  |               |                |                 |                 | (HEX)     |     |
| 0            | 00  | Software Reset    | Software reset |          |                |             |                  |               |                |                 |                 |           |     |
| 1            | 01  | Power manage't 1  | BUFDCOP<br>EN  | 0        | AUXEN          | PLEN        | MICBEN           | BIASEN        | BUFIOEN        | VMIDSEL         |                 | 000       |     |
| 2            | 02  | Power manage't 2  | 0              | 0        | 0              | 0           | BOOSTEN          | 0             | INPPGAEN       | 0               | ADCEN           | 000       |     |
| 3            | 03  | Power manage't 3  | 0              | MONOEN   | SPKNEN         | SPKPEN      | 0                | MONO<br>MIXEN | SPK<br>MIXEN   | 0               | DACEN           | 000       |     |
| 4            | 04  | Audio Interface   | BCP            | FRAMEP   | WL             |             | FMT              |               | DLRSWAP        | ALRSWAP         | 0               | 050       |     |
| 5            | 05  | Companding ctrl   | 0              | 0        | 0              | 0           | DAC_COMP         |               | ADC_COMP       |                 | LOOPBACK        | 000       |     |
| 6            | 06  | Clock Gen ctrl    | CLKSEL         | MCLKDIV  |                |             | BCLKDIV          |               |                | 0               | MS              | 140       |     |
| 7            | 07  | Additional ctrl   | 0              | 0        | 0              | 0           | 0                | SR            |                |                 | SLOWCLK<br>EN   | 000       |     |
| 8            | 08  | GPIO Stuff        | 0              | 0        | 0              | OPCLKDIV    |                  | GPIOPOL       | GPIOSEL        |                 |                 | 000       |     |
| 10           | 0A  | DAC Control       | 0              | 0        | DACMU          | DEEMPH      |                  | DACOSR<br>128 | AMUTE          | 0               | DACPOL          | 000       |     |
| 11           | 0B  | DAC digital Vol   | 0              | DACVOL   |                |             |                  |               |                |                 |                 | OFF       |     |
| 14           | 0E  | ADC Control       | HPFEN          | HPFAPP   | HPFCUT         |             |                  | ADCOSR<br>128 | 0              | 0               | ADCPOL          | 100       |     |
| 15           | 0F  | ADC Digital Vol   | 0              | ADCVOL   |                |             |                  |               |                |                 |                 | OFF       |     |
| 18           | 12  | EQ1 – low shelf   | EQMODE         | 0        | EQ1C           |             | EQ1G             |               |                |                 |                 | 12C       |     |
| 19           | 13  | EQ2 – peak 1      | EQ2BW          | 0        | EQ2C           |             | EQ2G             |               |                |                 |                 | 02C       |     |
| 20           | 14  | EQ3 – peak 2      | EQ3BW          | 0        | EQ3C           |             | EQ3G             |               |                |                 |                 | 02C       |     |
| 21           | 15  | EQ4 – peak 3      | EQ4BW          | 0        | EQ4C           |             | EQ4G             |               |                |                 |                 | 02C       |     |
| 22           | 16  | EQ5 – high shelf  | 0              | 0        | EQ5C           |             | EQ5G             |               |                |                 |                 | 02C       |     |
| 24           | 18  | DAC Limiter 1     | LIMEN          | LIMDCY   |                |             |                  | LIMATK        |                |                 |                 | 032       |     |
| 25           | 19  | DAC Limiter 2     | 0              | 0        | LIMLVL         |             |                  |               | LIMBOOST       |                 |                 |           | 000 |
| 27           | 1B  | Notch Filter 1    | NFU            | NFEN     | NFA0[13:7]     |             |                  |               |                |                 |                 | 000       |     |
| 28           | 1C  | Notch Filter 2    | NFU            | 0        | NFA0[6:0]      |             |                  |               |                |                 |                 | 000       |     |
| 29           | 1D  | Notch Filter 3    | NFU            | 0        | NFA1[13:7]     |             |                  |               |                |                 |                 | 000       |     |
| 30           | 1E  | Notch Filter 4    | NFU            | 0        | NFA1[6:0]      |             |                  |               |                |                 |                 | 000       |     |
| 32           | 20  | ALC control 1     | ALCSEL         | 0        | 0              | ALCMAX      |                  |               | ALCMIN         |                 |                 | 038       |     |
| 33           | 21  | ALC control 2     | ALCZC          | ALCHLD   |                |             |                  | ALCLVL        |                |                 |                 | 00B       |     |
| 34           | 22  | ALC control 3     | ALCMODE        | ALCDCY   |                |             |                  | ALCATK        |                |                 |                 | 032       |     |
| 35           | 23  | Noise Gate        | 0              | 0        | 0              | 0           | 0                | NGEN          | NGTH           |                 |                 | 000       |     |
| 36           | 24  | PLL N             | 0              | 0        | 0              | 0           | PLL_PRE<br>SCALE | PLLN[3:0]     |                |                 | 008             |           |     |
| 37           | 25  | PLL K 1           | 0              | 0        | 0              | PLLK[23:18] |                  |               |                |                 |                 | 00C       |     |
| 38           | 26  | PLL K 2           | PLLK[17:9]     |          |                |             |                  |               |                |                 |                 | 093       |     |
| 39           | 27  | PLL K 3           | PLLK[8:0]      |          |                |             |                  |               |                |                 |                 | 0E9       |     |
| 44           | 2C  | Input ctrl        | MBVSEL         | 0        | 0              | 0           | 0                | AUXMODE       | AUX2<br>INPPGA | MICN2<br>INPPGA | MICP2<br>INPPGA | 003       |     |
| 45           | 2D  | INP PGA gain ctrl | 0              | INPPGAZC | INPPGA<br>MUTE | INPPGAVOL   |                  |               |                |                 |                 | 010       |     |
| 47           | 2F  | ADC Boost ctrl    | PGABOOST       | 0        | MICP2BOOSTVOL  |             |                  | 0             | AUX2BOOSTVOL   |                 |                 | 100       |     |
| 49           | 31  | Output ctrl       | 0              | 0        | 0              | 0           | 0                | MONO<br>BOOST | SPK<br>BOOST   | TSDEN           | VROI            | 002       |     |
| 50           | 32  | SPK mixer ctrl    | 0              | 0        | 0              | AUX2SPK     | 0                | 0             | 0              | BYP2SPK         | DAC2SPK         | 000       |     |
| 54           | 36  | SPK volume ctrl   | 0              | SPKZC    | SPKMUTE        | SPKVOL      |                  |               |                |                 |                 | 039       |     |
| 56           | 38  | MONO mixer ctrl   | 0              | 0        | MONO<br>MUTE   | 0           | 0                | 0             | AUX2<br>MONO   | BYP2<br>MONO    | DAC2<br>MONO    | 000       |     |

**DIGITAL FILTER CHARACTERISTICS**

| PARAMETER                         | TEST CONDITIONS | MIN     | TYP   | MAX       | UNIT |
|-----------------------------------|-----------------|---------|-------|-----------|------|
| <b>ADC Filter</b>                 |                 |         |       |           |      |
| Passband                          | +/- 0.025dB     | 0       |       | 0.454fs   |      |
|                                   | -6dB            |         | 0.5fs |           |      |
| Passband Ripple                   |                 |         |       | +/- 0.025 | dB   |
| Stopband                          |                 | 0.546fs |       |           |      |
| Stopband Attenuation              | f > 0.546fs     | -60     |       |           | dB   |
| Group Delay                       |                 |         | 21/fs |           |      |
| <b>ADC High Pass Filter</b>       |                 |         |       |           |      |
| High Pass Filter Corner Frequency | -3dB            |         | 3.7   |           | Hz   |
|                                   | -0.5dB          |         | 10.4  |           |      |
|                                   | -0.1dB          |         | 21.6  |           |      |
| <b>DAC Filter</b>                 |                 |         |       |           |      |
| Passband                          | +/- 0.035dB     | 0       |       | 0.454fs   |      |
|                                   | -6dB            |         | 0.5fs |           |      |
| Passband Ripple                   |                 |         |       | +/-0.035  | dB   |
| Stopband                          |                 | 0.546fs |       |           |      |
| Stopband Attenuation              | f > 0.546fs     | -80     |       |           | dB   |
| Group Delay                       |                 |         | 29/fs |           |      |

Table 44 Digital Filter Characteristics

**TERMINOLOGY**

1. Stop Band Attenuation (dB) – the degree to which the frequency spectrum is attenuated (outside audio band)
2. Pass-band Ripple – any variation of the frequency response in the pass-band region

### DAC FILTER RESPONSES

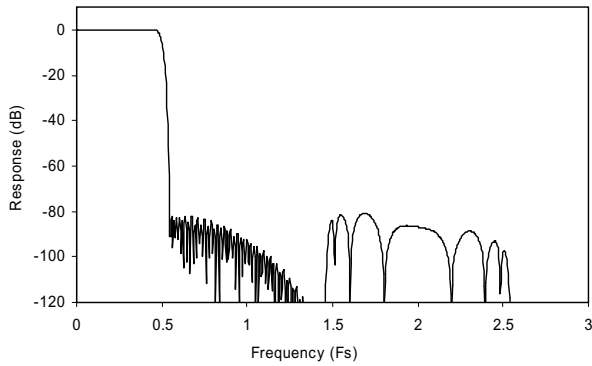


Figure 28 DAC Digital Filter Frequency Response

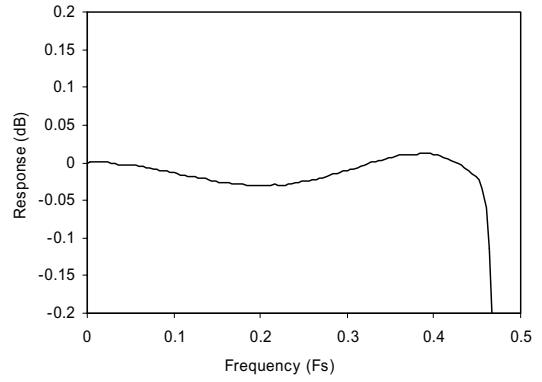


Figure 29 DAC Digital Filter Ripple

### ADC FILTER RESPONSES

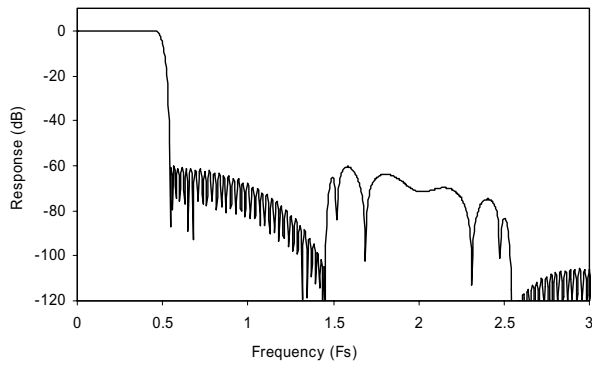


Figure 30 ADC Digital Filter Frequency Response

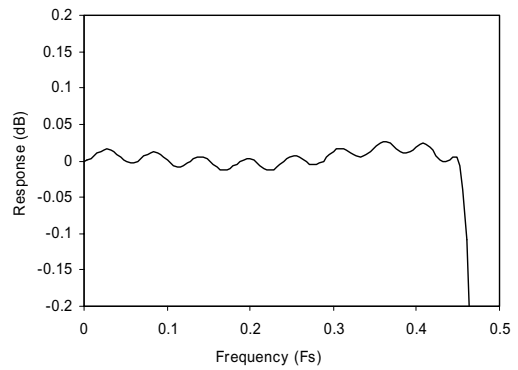


Figure 31 ADC Digital Filter Ripple

### DE-EMPHASIS FILTER RESPONSES

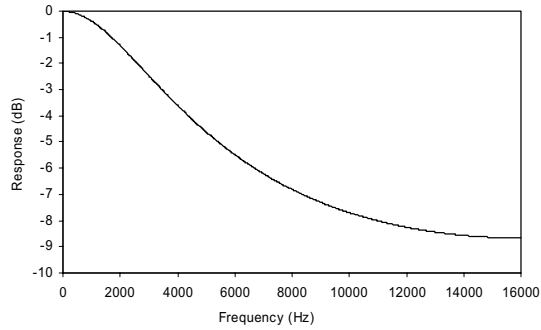


Figure 32 De-emphasis Frequency Response (32kHz)

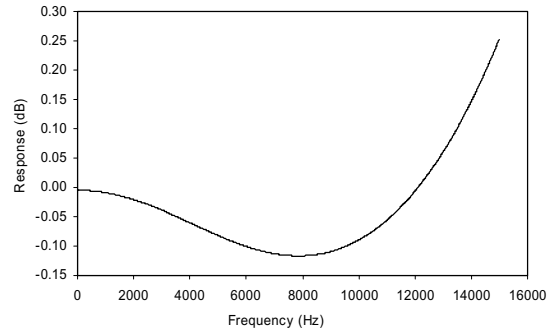


Figure 33 De-emphasis Error (32kHz)

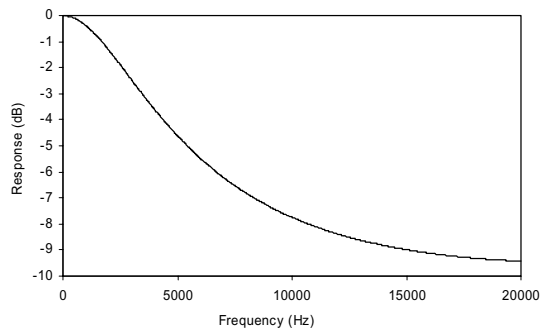


Figure 34 De-emphasis Frequency Response (44.1kHz)

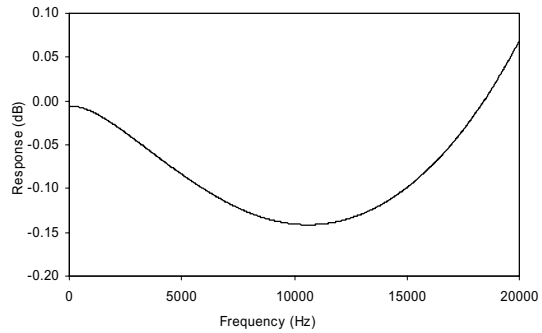


Figure 35 De-emphasis Error (44.1kHz)

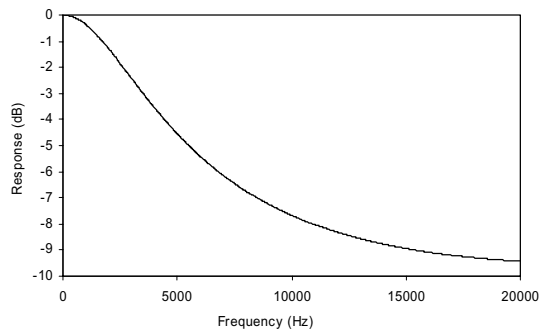


Figure 36 De-emphasis Frequency Response (48kHz)

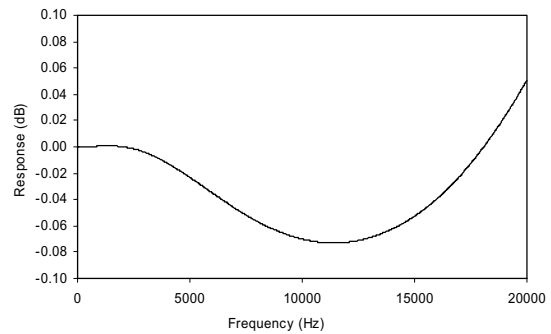


Figure 37 De-emphasis Error (48kHz)

### HIGHPASS FILTER

The WM8974 has a selectable digital highpass filter in the ADC filter path. This filter has two modes, audio and applications. In audio mode the filter is a 1<sup>st</sup> order IIR with a cutoff of around 3.7Hz. In applications mode the filter is a 2<sup>nd</sup> order high pass filter with a selectable cutoff frequency.

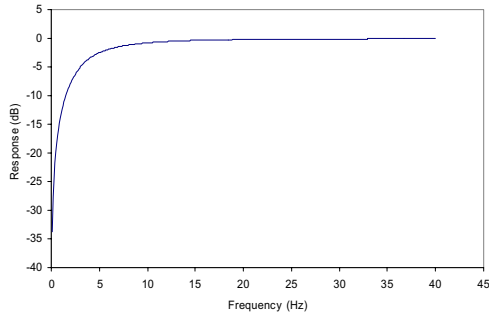


Figure 38 ADC Highpass Filter Response, HPFAPP=0

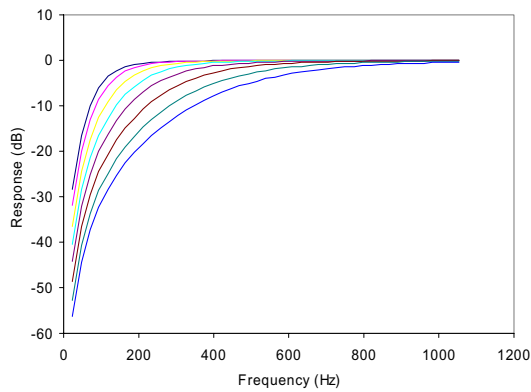


Figure 39 ADC Highpass Filter Responses (48kHz), HPFAPP=1, all cutoff settings shown.

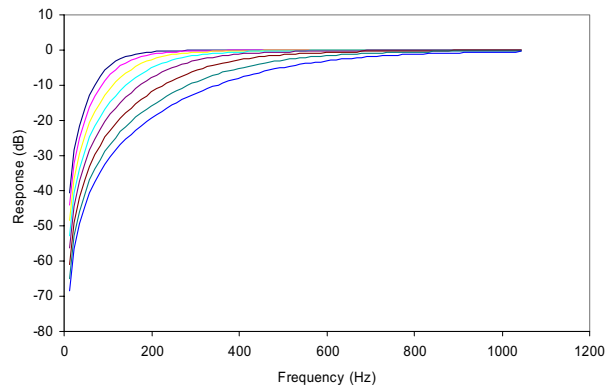


Figure 40 ADC Highpass Filter Responses (24kHz), HPFAPP=1, all cutoff settings shown.

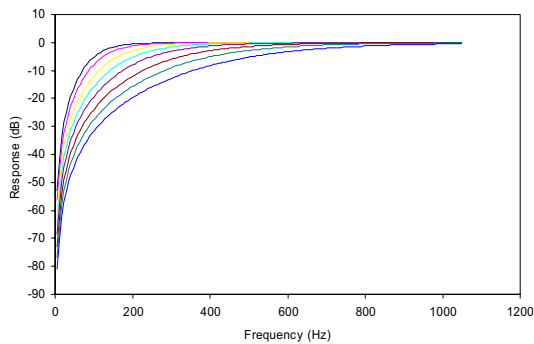


Figure 41 ADC Highpass Filter Responses (12kHz), HPFAPP=1, all cutoff settings shown.



### 5-BAND EQUALISER

The WM8974 has a 5-band equaliser which can be applied to either the ADC path or the DAC path. The plots from Figure 42 to Figure 55 show the frequency responses of each filter with a sampling frequency of 48kHz, firstly showing the different cut-off/centre frequencies with a gain of  $\pm 12\text{dB}$ , and secondly a sweep of the gain from  $-12\text{dB}$  to  $+12\text{dB}$  for the lowest cut-off/centre frequency of each filter.

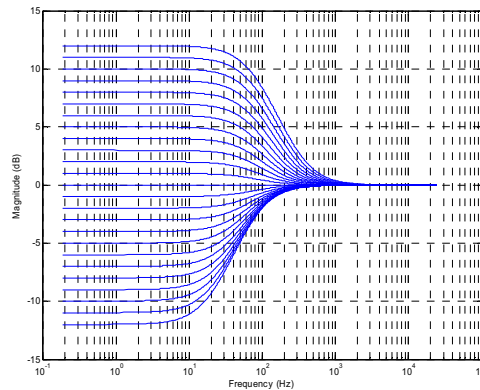
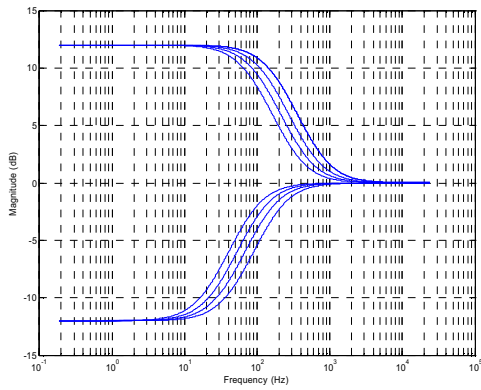


Figure 42 EQ Band 1 – Low Frequency Shelf Filter Cut-offs    Figure 43 EQ Band 1 – Gains for Lowest Cut-off Frequency

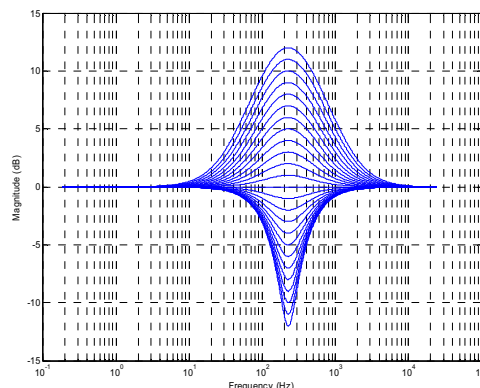
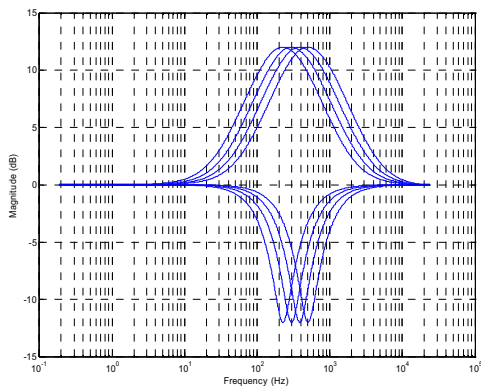


Figure 44 EQ Band 2 – Peak Filter Centre Frequencies, EQ2BW=0

Figure 45 EQ Band 2 – Peak Filter Gains for Lowest Cut-off Frequency, EQ2BW=0

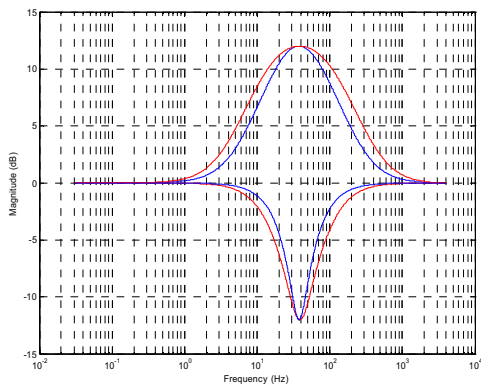


Figure 46 EQ Band 2 – EQ2BW=0, EQ2BW=1

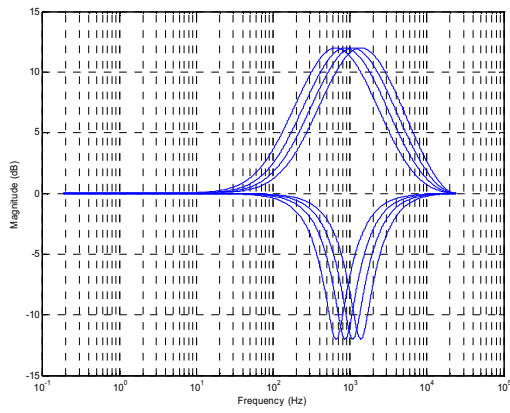


Figure 47 EQ Band 3 – Peak Filter Centre Frequencies, EQ3BW=0

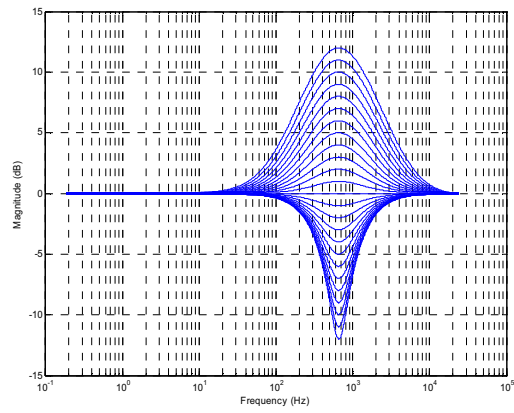


Figure 48 EQ Band 3 – Peak Filter Gains for Lowest Cut-off Frequency, EQ3BW=0

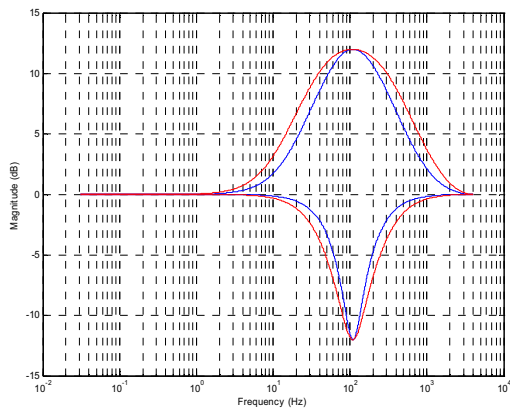


Figure 49 EQ Band 3 – EQ3BW=0, EQ3BW=1

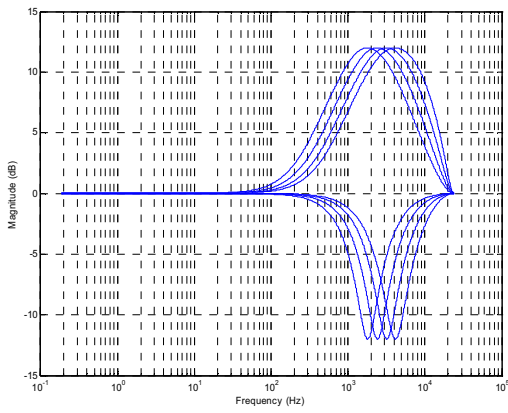


Figure 50 EQ Band 4 – Peak Filter Centre Frequencies, EQ3BW=0

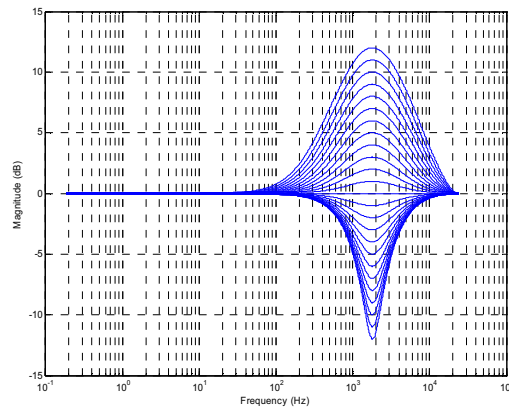


Figure 51 EQ Band 4 – Peak Filter Gains for Lowest Cut-off Frequency, EQ4BW=0

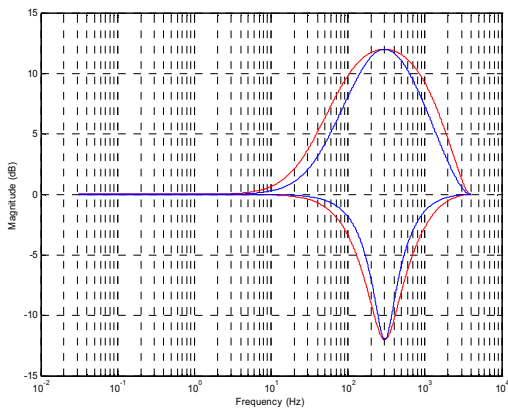


Figure 52 EQ Band 4 – EQ3BW=0, EQ3BW=1

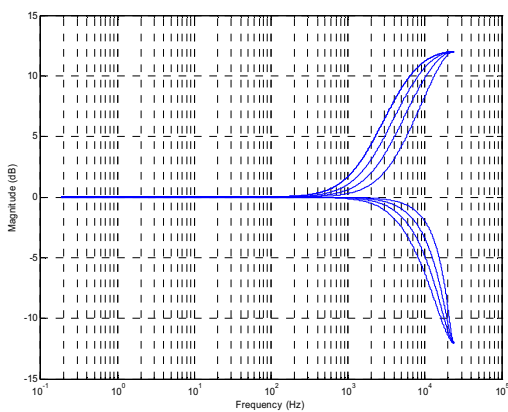


Figure 53 EQ Band 5 – High Frequency Shelf Filter Cut-offs

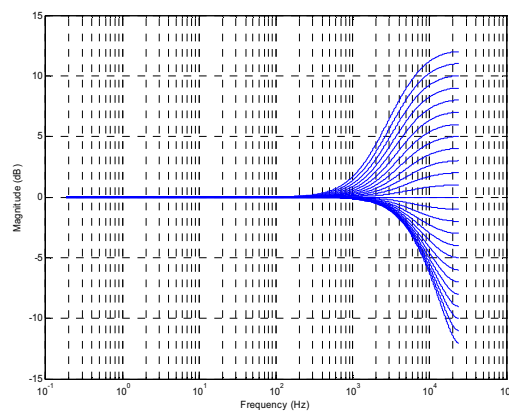


Figure 54 EQ Band 5 – Gains for Lowest Cut-off Frequency

Figure 55 shows the result of having the gain set on more than one channel simultaneously. The blue traces show each band (lowest cut-off/centre frequency) with  $\pm 12\text{dB}$  gain. The red traces show the cumulative effect of all bands with  $+12\text{dB}$  gain and all bands  $-12\text{dB}$  gain, with  $\text{EQxBW}=0$  for the peak filters.

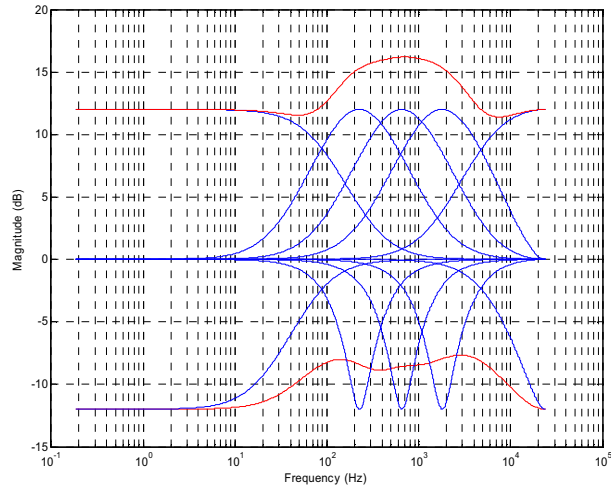


Figure 55 Cumulative Frequency Boost/Cut

## APPLICATIONS INFORMATION

### RECOMMENDED EXTERNAL COMPONENTS

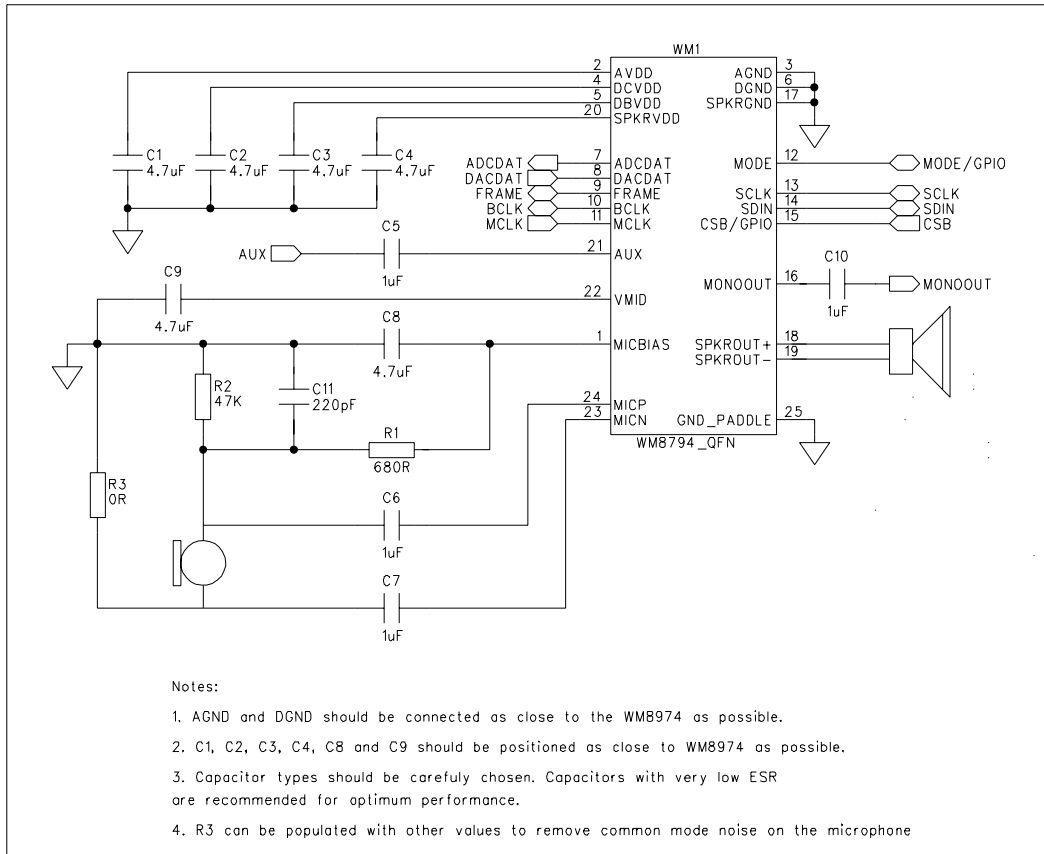
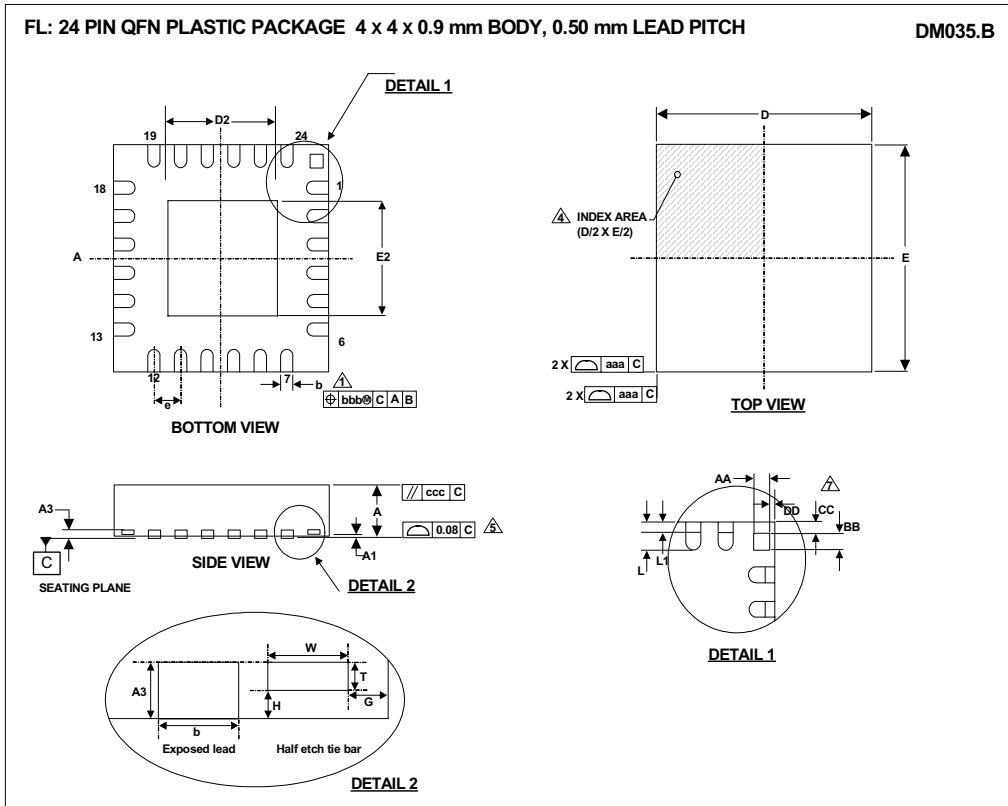


Figure 56 Recommended External Components

PACKAGE DIAGRAM



| Symbols                                | Dimensions (mm)                  |          |      |      |
|----------------------------------------|----------------------------------|----------|------|------|
|                                        | MIN                              | NOM      | MAX  | NOTE |
| A                                      | 0.80                             | 0.90     | 1.00 |      |
| A1                                     | 0                                | 0.02     | 0.05 |      |
| A3                                     |                                  | 0.20 REF |      |      |
| b                                      | 0.18                             | 0.25     | 0.30 | 1    |
| D                                      |                                  | 4.00     |      |      |
| D2                                     | 2.00                             | 2.15     | 2.25 | 2    |
| E                                      |                                  | 4.00     |      |      |
| E2                                     | 2.00                             | 2.15     | 2.25 | 2    |
| e                                      |                                  | 0.50 BSC |      |      |
| G                                      |                                  | 0.213    |      |      |
| H                                      |                                  | 0.1      |      |      |
| L                                      | 0.30                             | 0.40     | 0.50 |      |
| T                                      |                                  | 0.1      |      |      |
| W                                      |                                  | 0.2      |      |      |
| <b>Tolerances of Form and Position</b> |                                  |          |      |      |
| aaa                                    |                                  | 0.15     |      |      |
| bbb                                    |                                  | 0.10     |      |      |
| ccc                                    |                                  | 0.10     |      |      |
| REF:                                   | JEDEC, MO-220, VARIATION VGGD-2. |          |      |      |

| Symbols | Dimensions (mm) |     |      |      |
|---------|-----------------|-----|------|------|
|         | MIN             | NOM | MAX  | NOTE |
| AA      | 0.235           |     |      | 7    |
| BB      | 0.235           |     |      | 7    |
| CC      | 0.181           |     |      | 7    |
| DD      | 0.181           |     |      | 7    |
| L1      | 0.03            |     | 0.15 |      |

- NOTES:
1. DIMENSION b APPLIES TO METALLIZED TERMINAL AND IS MEASURED BETWEEN 0.15 mm AND 0.30 mm FROM TERMINAL TIP.
  2. FALLS WITHIN JEDEC, MO-220, VARIATION VGGD-2.
  3. ALL DIMENSIONS ARE IN MILLIMETRES.
  4. THE TERMINAL #1 IDENTIFIER AND TERMINAL NUMBERING CONVENTION SHALL CONFORM TO JEDEC 95-1 SPP-002.
  5. COPLANARITY APPLIES TO THE EXPOSED HEAT SINK SLUG AS WELL AS THE TERMINALS.
  6. THIS DRAWING IS SUBJECT TO CHANGE WITHOUT NOTICE.
  7. DEPENDING ON THE METHOD OF LEAD TERMINATION AT THE EDGE OF THE PACKAGE, PULL BACK (L1) MAY BE PRESENT.

## IMPORTANT NOTICE

Wolfson Microelectronics plc (WM) reserve the right to make changes to their products or to discontinue any product or service without notice, and advise customers to obtain the latest version of relevant information to verify, before placing orders, that information being relied on is current. All products are sold subject to the WM terms and conditions of sale supplied at the time of order acknowledgement, including those pertaining to warranty, patent infringement, and limitation of liability.

WM warrants performance of its products to the specifications applicable at the time of sale in accordance with WM's standard warranty. Testing and other quality control techniques are utilised to the extent WM deems necessary to support this warranty. Specific testing of all parameters of each device is not necessarily performed, except those mandated by government requirements.

In order to minimise risks associated with customer applications, adequate design and operating safeguards must be used by the customer to minimise inherent or procedural hazards. Wolfson products are not authorised for use as critical components in life support devices or systems without the express written approval of an officer of the company. Life support devices or systems are devices or systems that are intended for surgical implant into the body, or support or sustain life, and whose failure to perform when properly used in accordance with instructions for use provided, can be reasonably expected to result in a significant injury to the user. A critical component is any component of a life support device or system whose failure to perform can be reasonably expected to cause the failure of the life support device or system, or to affect its safety or effectiveness.

WM assumes no liability for applications assistance or customer product design. WM does not warrant or represent that any license, either express or implied, is granted under any patent right, copyright, mask work right, or other intellectual property right of WM covering or relating to any combination, machine, or process in which such products or services might be or are used. WM's publication of information regarding any third party's products or services does not constitute WM's approval, license, warranty or endorsement thereof.

Reproduction of information from the WM web site or datasheets is permissible only if reproduction is without alteration and is accompanied by all associated warranties, conditions, limitations and notices. Representation or reproduction of this information with alteration voids all warranties provided for an associated WM product or service, is an unfair and deceptive business practice, and WM is not responsible nor liable for any such use.

Resale of WM's products or services with statements different from or beyond the parameters stated by WM for that product or service voids all express and any implied warranties for the associated WM product or service, is an unfair and deceptive business practice, and WM is not responsible nor liable for any such use.

## ADDRESS

Wolfson Microelectronics plc  
Westfield House  
26 Westfield Road  
Edinburgh  
EH11 2QB  
United Kingdom

Tel :: +44 (0)131 272 7000  
Fax :: +44 (0)131 272 7001  
Email :: sales@wolfsonmicro.com